

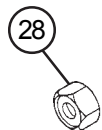
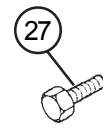
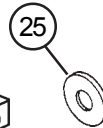
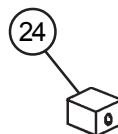
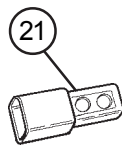
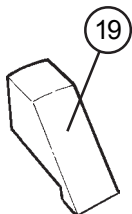
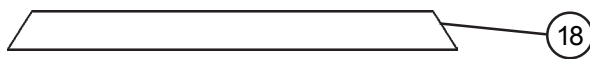
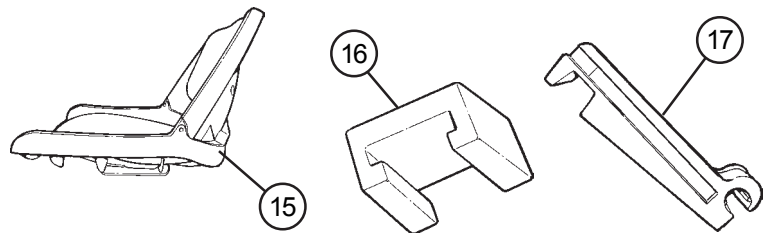
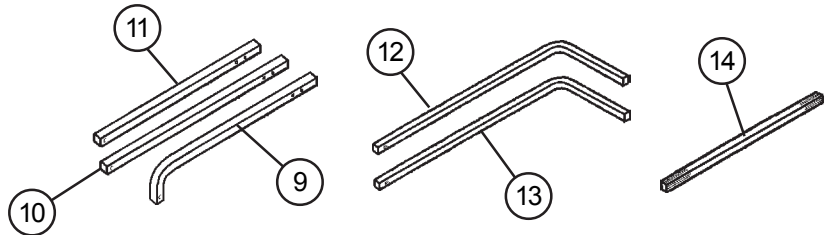
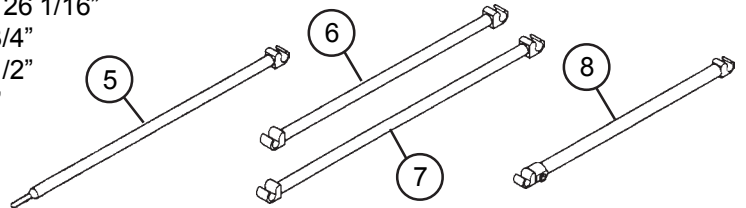
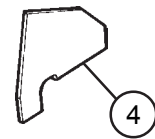
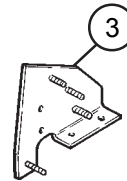
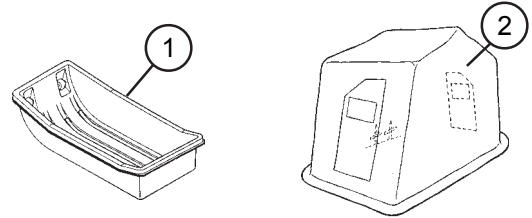


Otter Ice Series -Ice Cabin Installation and Set-Up Instructions

Otter II Ice Cabin Fits Medium Otter II Sled Only Parts Identification and Check List

PARTS LIST

Item #	Qty	Part #	Description
1	1	1130	Sled - Black (Sold Separately)
2	1	90290	Tent-Ice Camo Cabin
3	1	80172	Frame Bracket "A"
4	1	80171	Frame Bracket "B"
5	1	80516	Back Wind Support Bar - 48"
6	1	80513	Center Wind Support Bar - 25 5/8"
7	1	80514	Center Wind Support Bar - 40 1/2"
8	1	80512	Adjustable Front Wind Support Bar
9	2	80464	Main Frame Extension Bar - 25 3/8"
10	2	80465	Main Frame Extension Bar - 27 9/16"
11	4	80466	Main Frame Extension Bar - 26 1/16"
12	2	80468	Outer Main Frame Bar - 29 3/4"
13	6	80467	Outer Main Frame Bar - 28 1/2"
14	4	80469	Middle Main Frame Bar - 43"
15	2	90021	Seat
16	2	95349	Seat Slide
17	2	95348	Seat Base
18	1	90306	Seat Rail - 64"
19	2	80492	Seat Rail Cap
20	2	90308	Seat Rail Bracket
21	8	80489	Sleeve
22	12	40714	Self Tapping Screw
23	8	80487	Black Plug
24	8	80488	Black End Cap
25	10	40103	5/16 Washer
26	8	40024	1/4 x 1/2 Hex Bolt
27	6	40598	1/4 x 3/4 Hex Bolt
28	18	80013	1/4 Nylon Hex Lock Nut



Otter II Ice Cabin
Fits Medium Otter II Sled Only
Assembly Instructions

Tools Required:

7/16 Box End Wrench
 7/16 Socket and Ratchet
 Drill

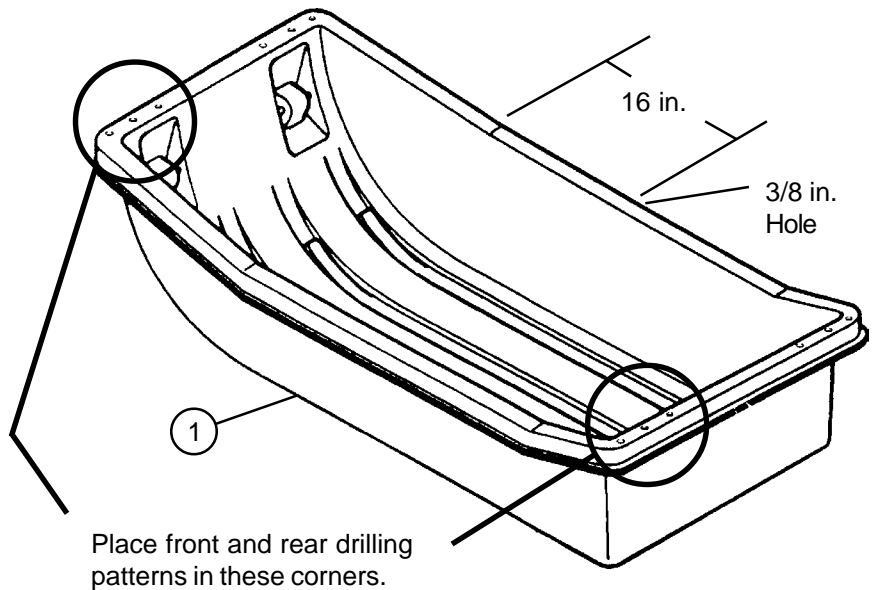
3/8 Bit
 5/16 Bit

Sled Size Required:

Medium Otter II

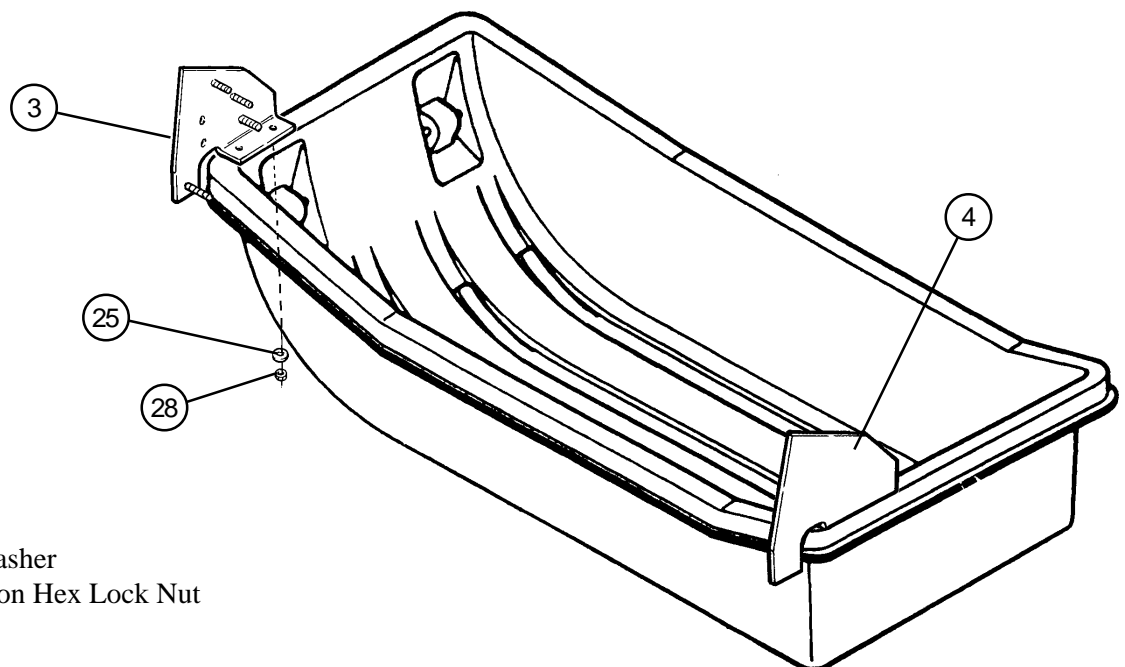
1. Layout all parts.
2. Position sled (Item 1) as shown in Diagram 1, with curved front to your left. Using front drilling pattern (on back page) mark two holes for the front frame bracket with a sharp object. Using rear drilling pattern (on back page), repeat this step for the rear frame bracket.
3. Drill the 4 marked holes using a 5/16 bit.
4. Drill the 3/8 in. hole in center of lip approximately 16 inches from bend in sled. The back wind support bar (Item 5) is to be propped here.

Diagram 1



5. Bolt frame brackets (Item 3 and Item 4) to sled using holes predrilled in Step 3. Use appropriate fasteners shown in Diagram 2.

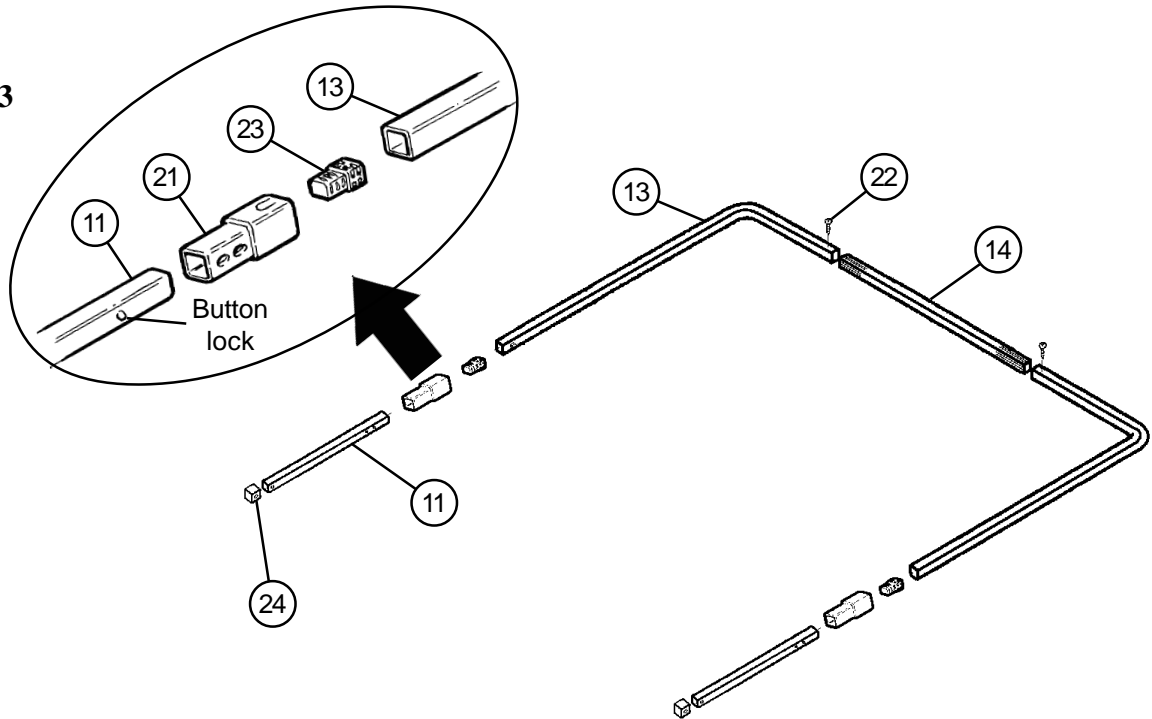
Diagram 2



Item 25 - 5/16 Washer
 Item 28 - 1/4 Nylon Hex Lock Nut

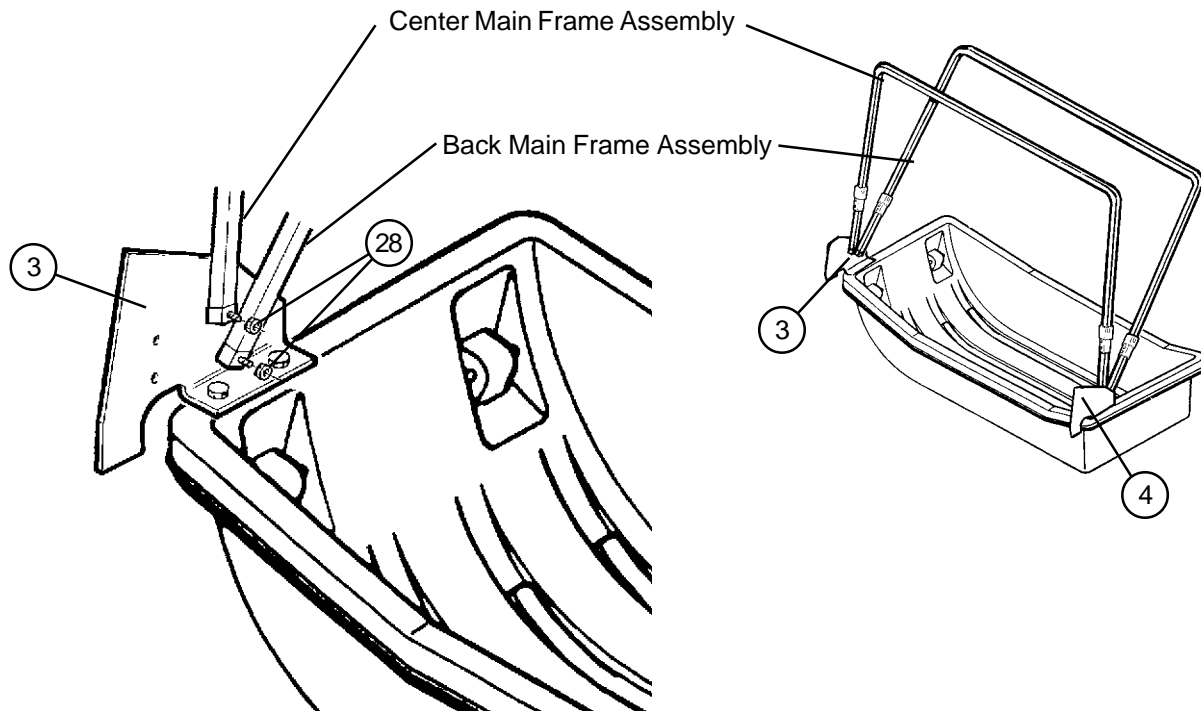
6. Assemble **Back and Center Main Frame Bars**: Insert the outer main frame bar (Item 13) into the middle main frame bar (Item 14). Fasten with self-tapping screw (Item 22). Slide the sleeve (Item 21) over the main frame extension bar (Item 11). (**Line up holes with button lock, press lock in as you slide over the bar**). Insert the black plug (Item 23) into the main frame extension bar (Item 11). Insert outer main frame bar (Item 13) into sleeve (Item 21). Cover end of main frame extension bar (Item 11) with black end cap (Item 24). Ref. Diagram 3.

Diagram 3



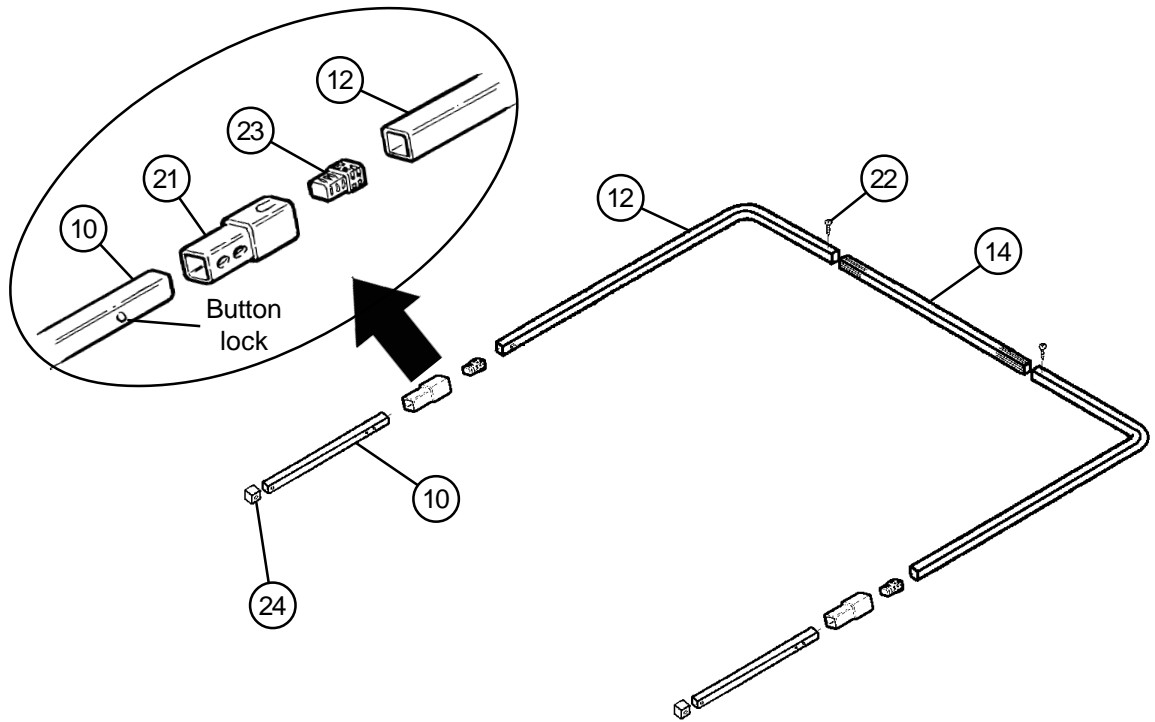
7. Attach **Back and Center** main frame assemblies (Assembled in Step 6) onto frame brackets (Item 3 and 4). Secure with 1/4 nylon hex lock nut (Item 28). Ref. Diagram 4.

Diagram 4



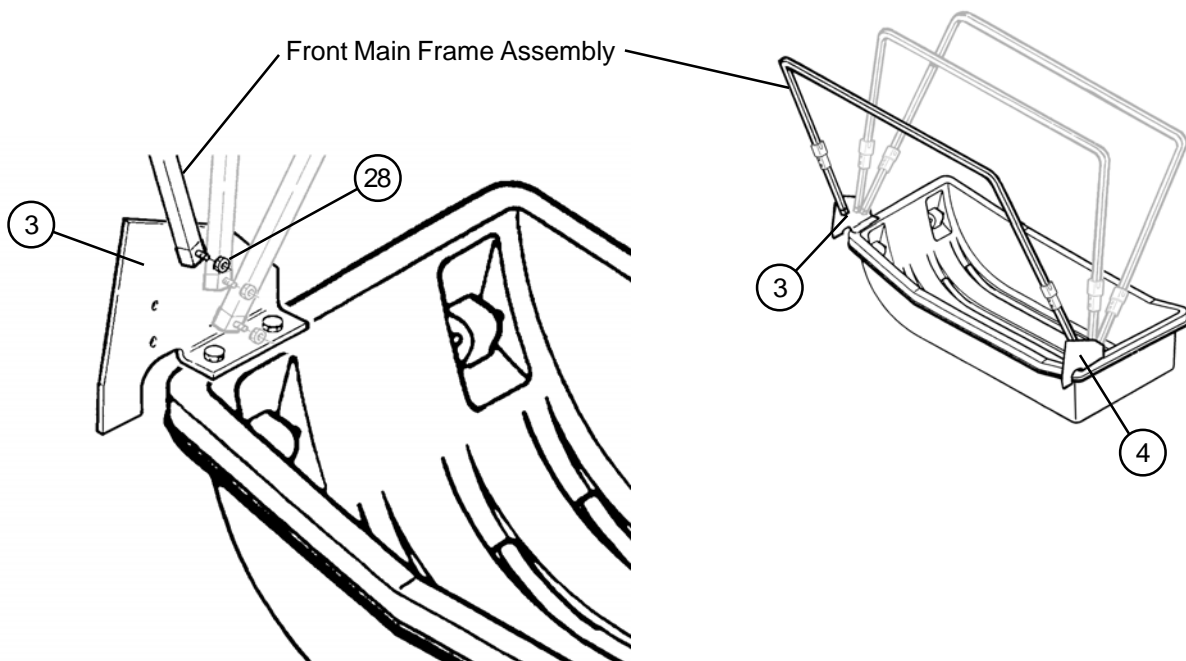
8. Assemble **Front Main Frame Bar**: Insert the outer main frame bar (Item 12) into the middle main frame bar (Item 14). Fasten with self-tapping screw (Item 22). Slide the sleeve (Item 21) over the main frame extension bar (Item 10). (**Line up holes with button lock, press lock in as you slide over the bar**). Insert the black plug (Item 23) into the main frame extension bar (Item 10). Insert outer main frame bar (Item 12) into sleeve (Item 21). Cover end of main frame extension bar (Item 10) with black end cap (Item 24). Ref. Diagram 5.

Diagram 5



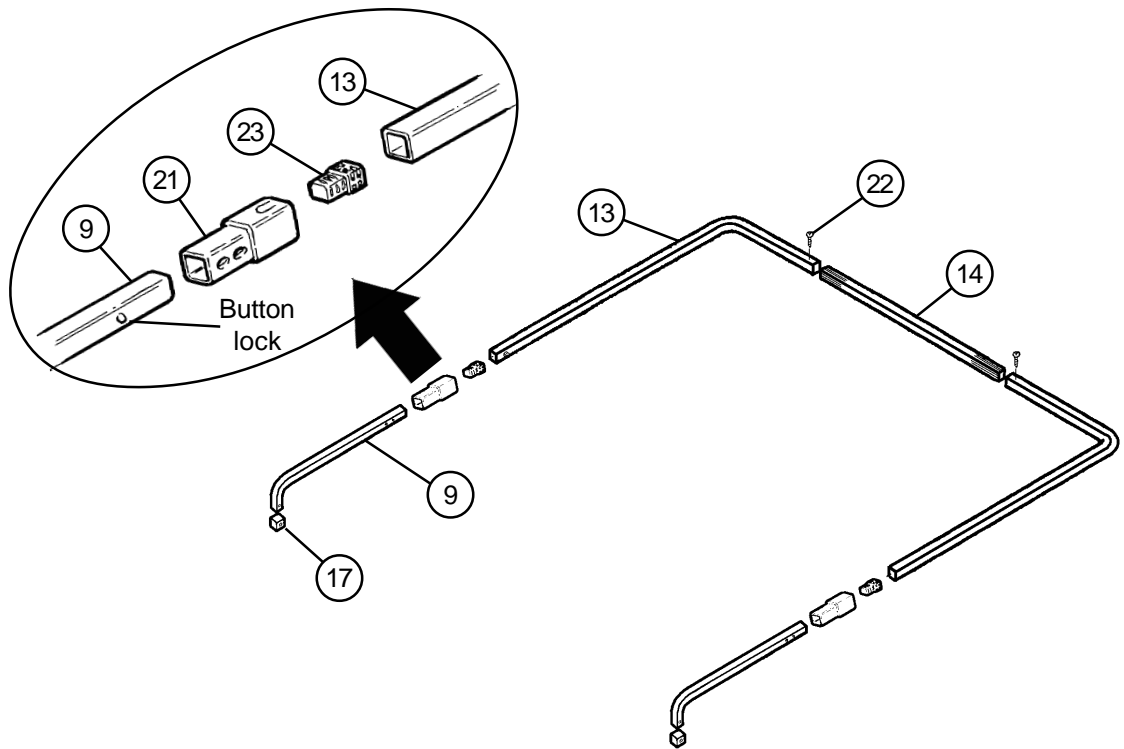
9. Attach **Front** main frame assembly (Assembled in Step 8) onto frame brackets (Item 3 and 4). Secure with 1/4 nylon hex lock nut (Item 28). Ref. Diagram 6

Diagram 6



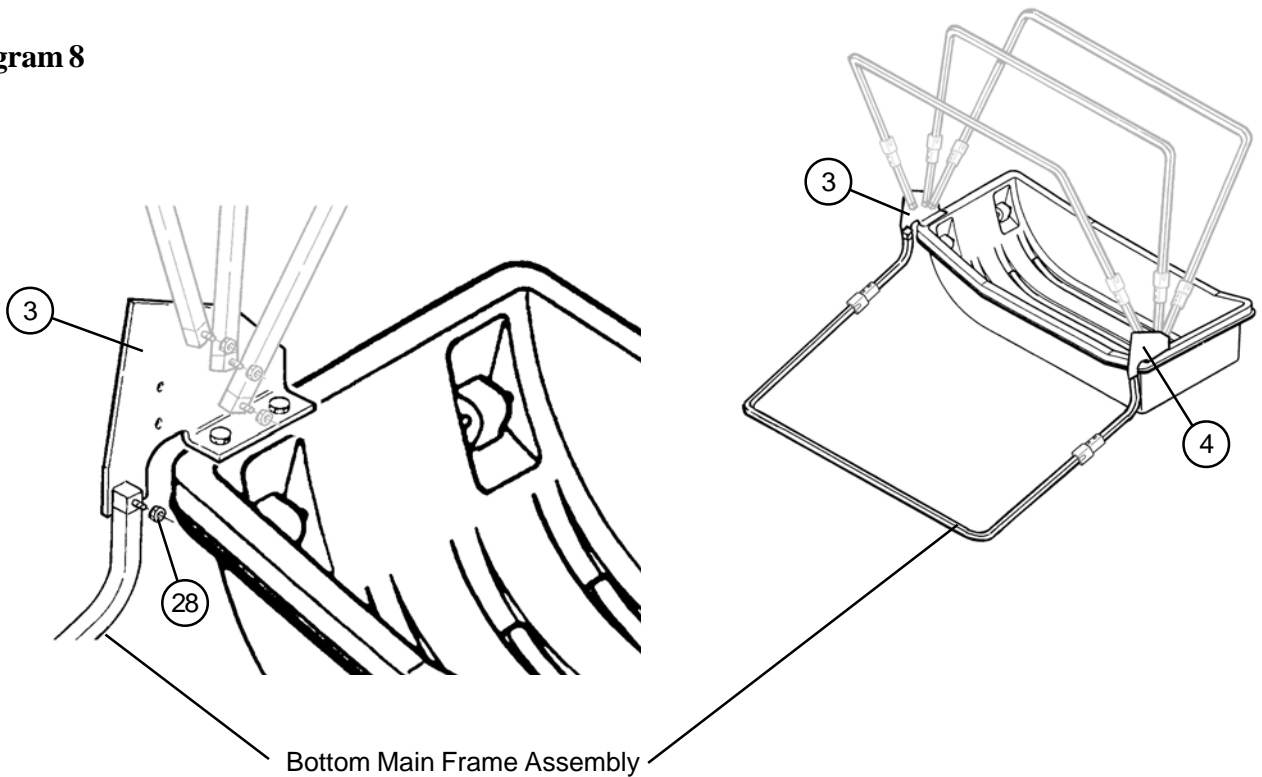
10. Assemble **Bottom Main Frame Bar**: Insert the outer main frame bar (Item 13) into the middle main frame bar (Item 14). Fasten with self-tapping screw (Item 22). Slide the sleeve (Item 21) over the main frame extension bar (Item 9). (**Line up holes with button lock, press lock in as you slide over the bar**). Insert the black plug (Item 23) into the main frame extension bar (Item 9). Insert outer main frame bar (Item 13) into sleeve (Item 21). Cover end of main frame extension bar (Item 9) with black end cap (Item 24). Ref. Diagram 7.

Diagram 7



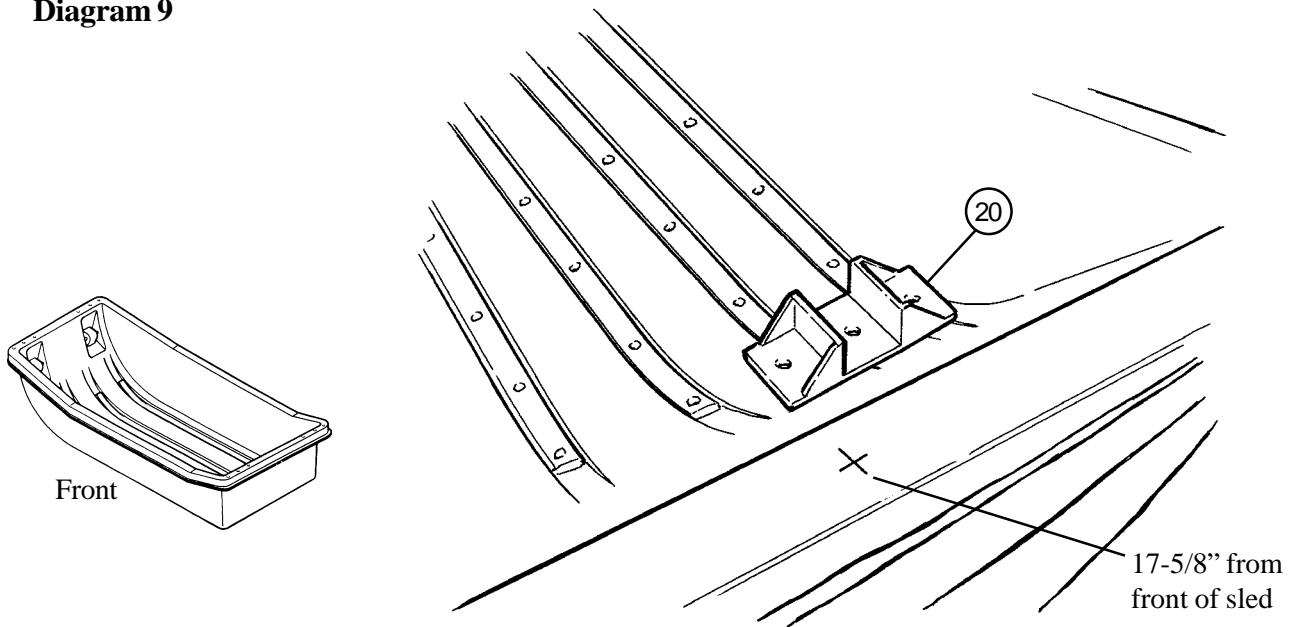
11. Attach **Bottom** main frame assembly (Assembled in Step 8) onto frame brackets (Item 3 and 4). Secure with 1/4 nylon hex lock nut (Item 28). Ref. Diagram 8.

Diagram 8



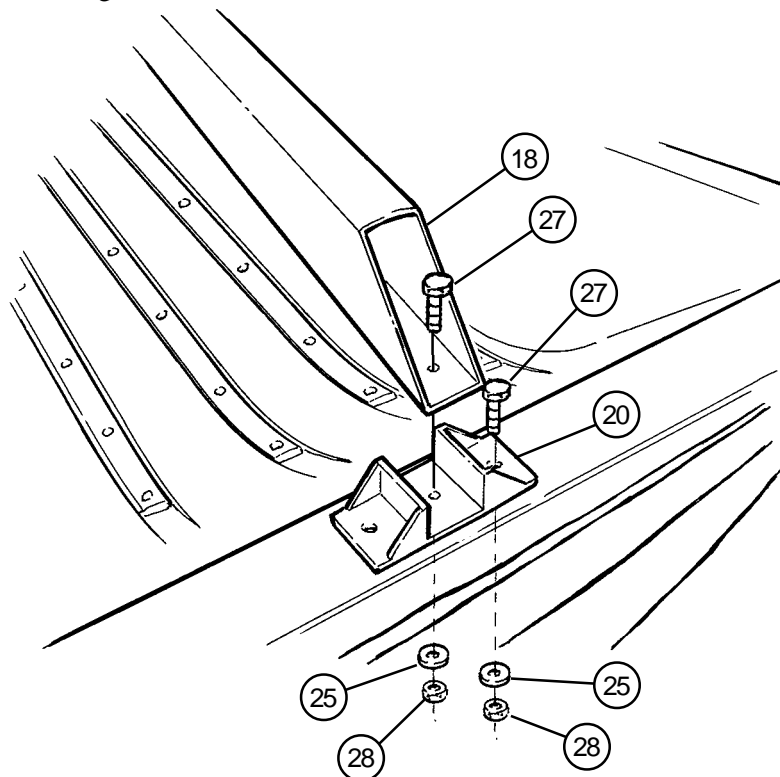
12. Measure 17-5/8" from the front of the sled and mark the location on the center of the lip. Position the seat rail bracket (Item 20) center hole over the mark and drill a 5/16" hole through the sled. Repeat other side of sled. Ref. Diagram 9.

Diagram 9



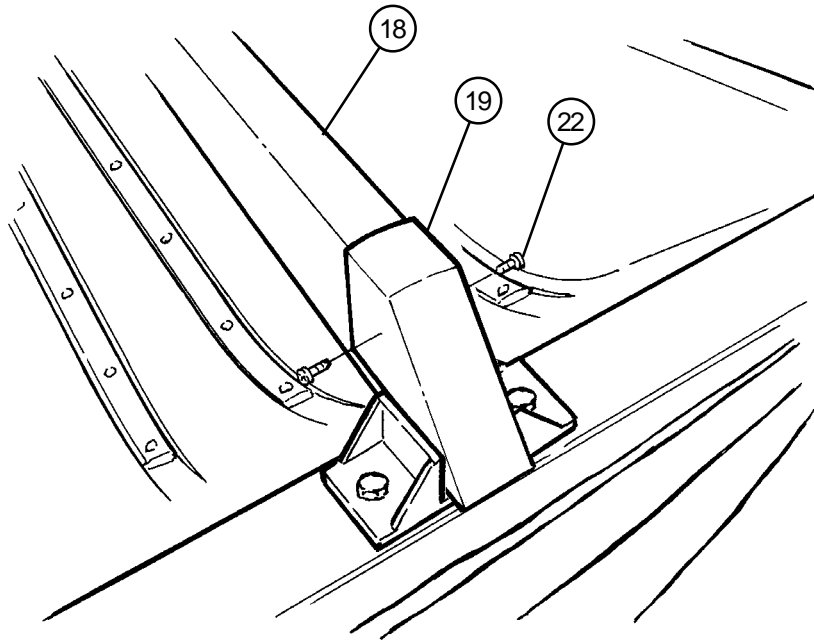
13. Place the seat rail (Item 18) into the seat rail bracket (Item 20) and fasten with a bolt (Item 27), washer, (Item 25) and nut (Item 28) but do not tighten yet. Drill a 5/16" hole into the sled lip through the holes on either side of the seat rail bracket (Item 20) and through the sled lip. Fasten the seat rail bracket (Item 20) to the sled with a bolt (Item 27), washer (Item 25), and nut (Item 28). Tighten the bolt and nut holding the seat rail (Item 18). Repeat other side of sled. Ref. Diagram 10.

Diagram 10



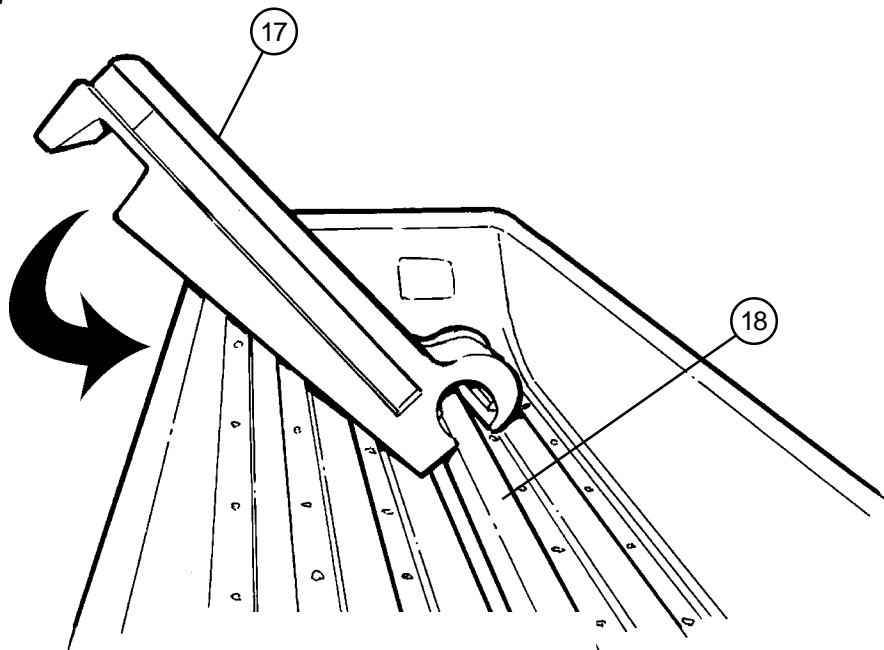
14. Slide seat rail cap (Item 19) onto end of seat rail (Item 18). Fasten with self tapping screws (Item 22). Repeat other side of sled. Ref. Diagram 11.

Diagram 11



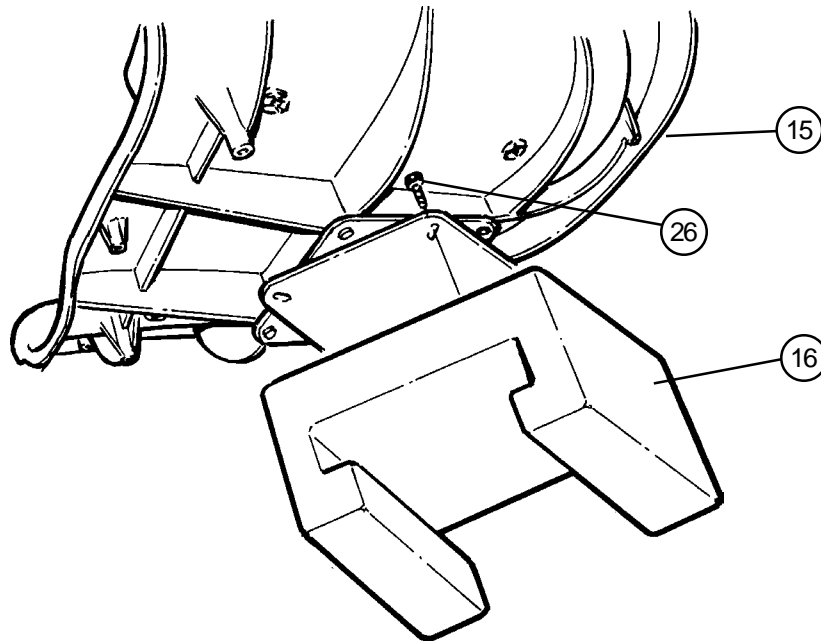
15. Position seat base (Item 17) as shown and lock onto the seat rail (Item 18). Lower the seat base onto the sled. Ref. Diagram 12.

Diagram 12



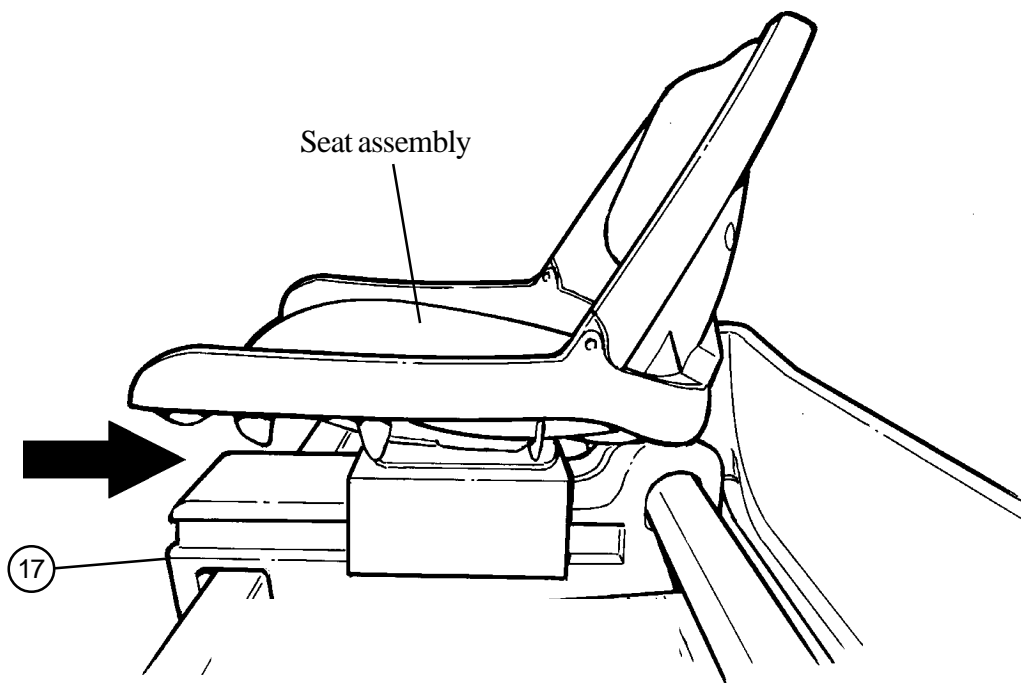
16. Fasten the seat slide (Item 16) to the seat (Item 15) with four bolts (Item 26). Ref. Diagram 13.

Diagram 13



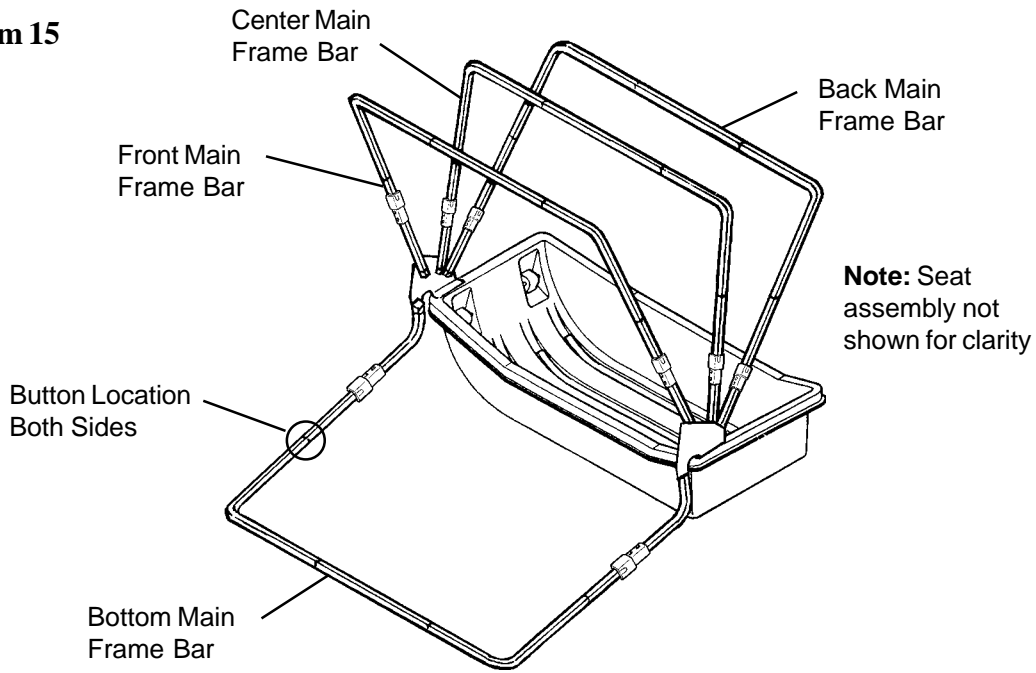
17. Slide the seat assembly (assembled in step 16) onto the seat base (Item 17). Ref. Diagram 14.

Diagram 14



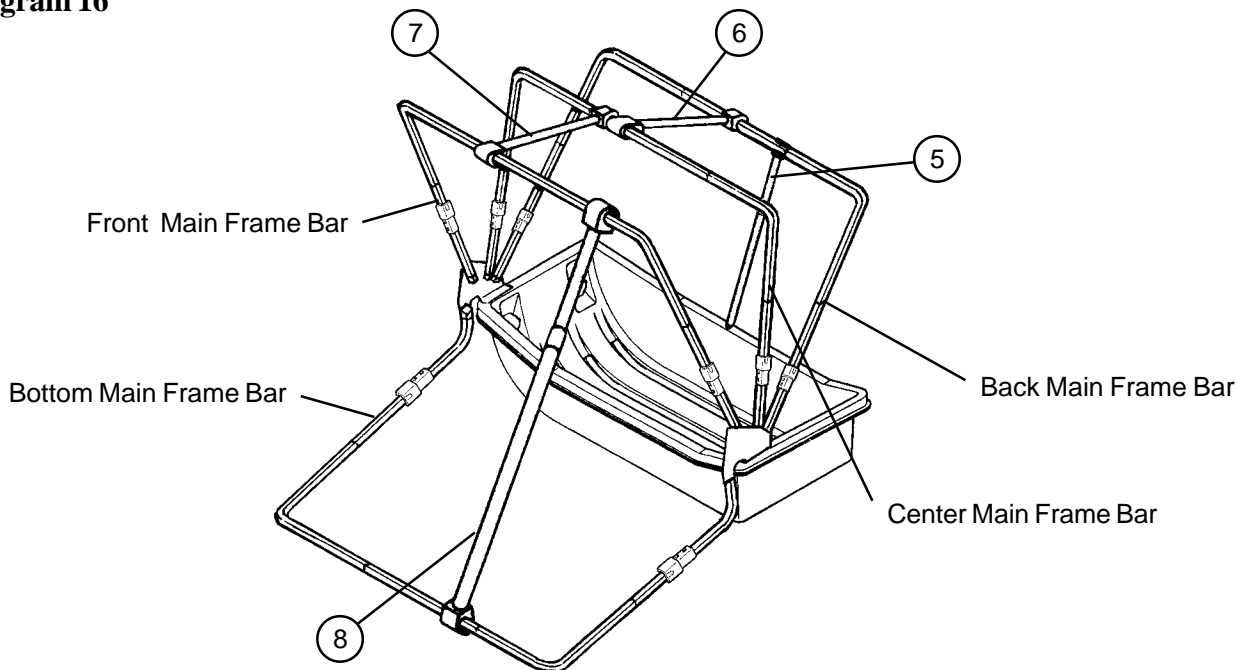
18. Set up main frame bars by grasping with both hands and pushing upward until button clicks into place. Start with bottom main frame bar and continue to the back main frame bar pushing lengthened bars into appropriate position (Ref. Diagram 15).

Diagram 15



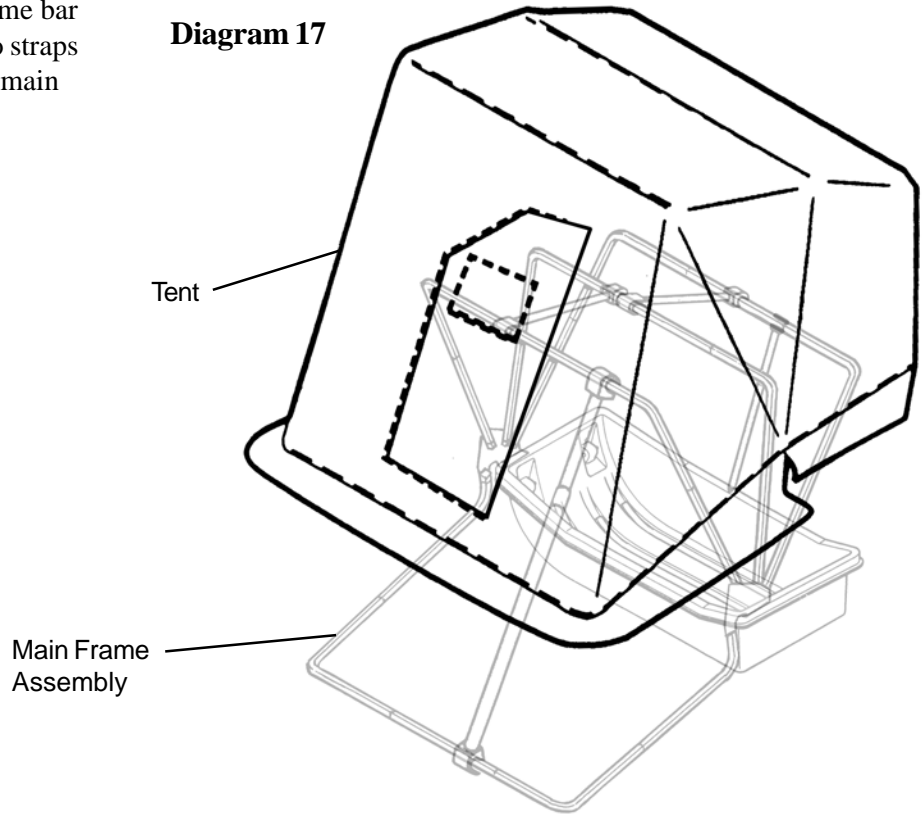
19. Install wind support bars starting in back (Item 5), up through center (Item 6), then between the front and center main frame bars (Item 7) and finally with adjustable wind support bar (Item 8) in front. Ref Diagram 16.

Diagram 16



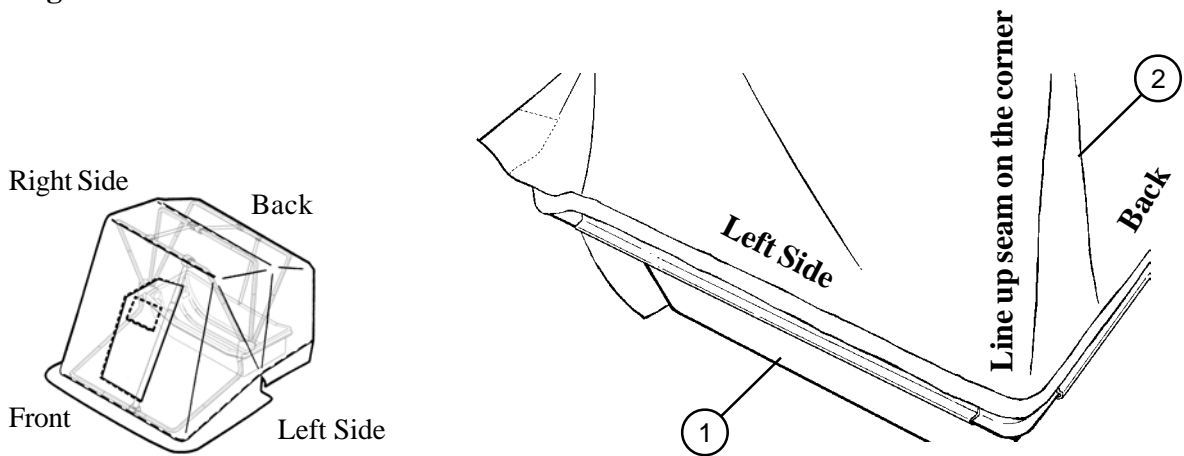
20. Slide the tent over the main frame bar assembly, then fasten the velcro straps on the inside of the tent to each main frame bar. Ref. Diagram 17.

Diagram 17



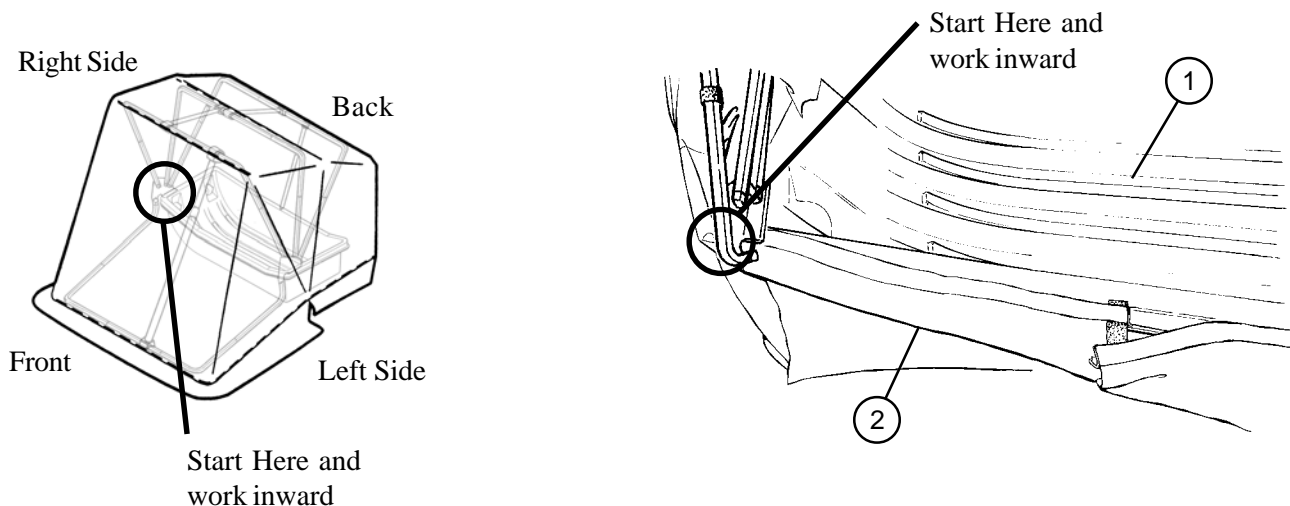
21. The canvas tent (Item 2) has a plastic trim seal sewn into the edge, snap the plastic trim seal to the edge of the sled (Item 1). Start at the front left corner and work your way around across the back and up the opposite side. Ref. Diagram 18.

Diagram 18



22. On the front of the fishhouse, start in the corners and work inward, snap the plastic trim seal on the canvas tent (Item 2) to the **top** edge of the sled (Item 1) Ref. Diagram 19.

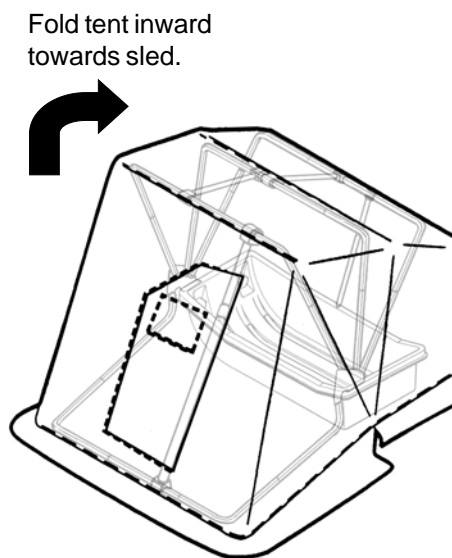
Diagram 19



23. The tent (Item 2) will meet in the middle and should be free to open and close so it can be removed.

To Collapse Tent and Transport:

1. Remove support bars and store inside the sled.
2. Retract main frame bars by pressing in button while sliding the bar farther into the tube.
3. Fold the tent in towards the sled so all the bars are laying on top of the sled.
4. Tuck in excess tent material.
5. Ready for transport.
6. Reverse to set up the fishhouse again.



General Note: Be careful with tent windows in cold weather, as creasing or crushing them will cause breakage.



Caution: Use adequate ventilation. Portable heaters use up oxygen and emit carbon monoxide. Use reflectors and identifying lights after dark or during limited visibility.

REAR OF SLED



Match this line to edge of sled.

**HOLE DRILLING PATTERN FOR
OTTER II ICE CABIN USING
MEDIUM OTTER II SLED**

OUTSIDE EDGE OF SLED

**NOTE: Back of sled is slightly wider than front
of sled so hole placement is not the same.**

Drill two bracket holes using 5/16" drill bit.

Match this line to edge of sled.



FRONT OF SLED