



Otter Wild Ice Lodge Installation and Set-Up Instructions

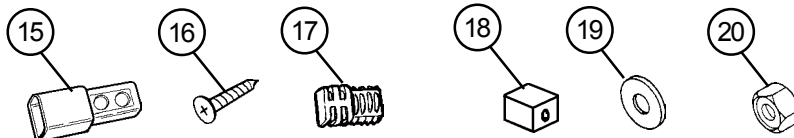
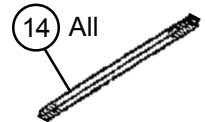
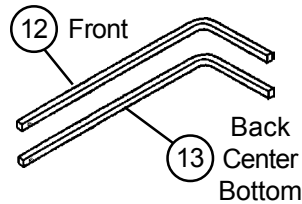
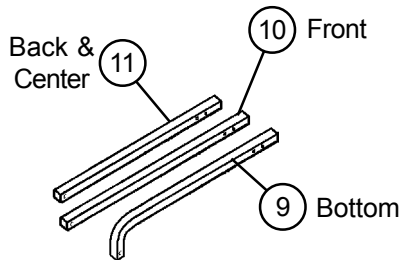
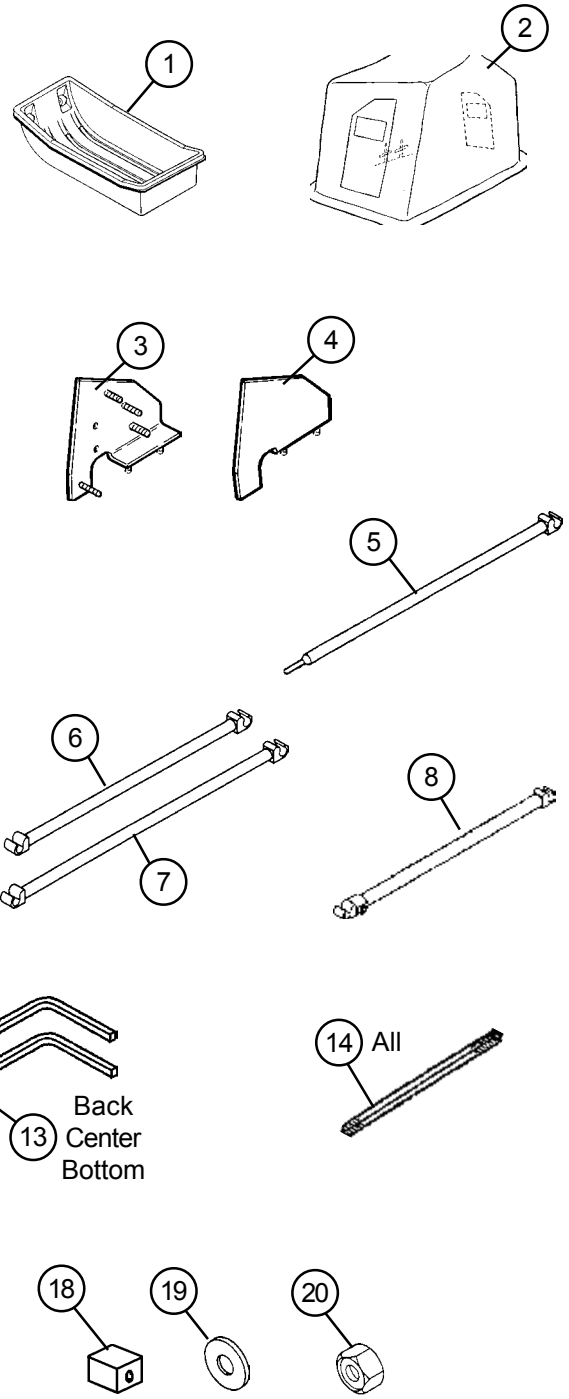
Otter Wild Ice Lodge Fits Magnum Otter Wild Sled Only Parts Identification and Check List

MODEL NUMBERS:

Complete Pkg Thermal Roof Ice Camo 2046

PARTS LIST

Item #	Qty	Part #	Description
1	1	1040	Sled - Black (Sold Separately)
2	1	90373	Tent-Ice Camo Lodge-Thermal Roof
3	1	80172	Frame Bracket "A"
4	1	80171	Frame Bracket "B"
5	1	80517	Back Wind Support Bar - 49 1/2"
6	1	80518	Center Wind Support Bar - 34 5/8"
7	1	80519	Center Wind Support Bar - 44 3/4"
8	1	80512	Adjustable Front Wind Support Bar
9	2	80470	Main Frame Extension Bar - 31 1/2"
10	2	80471	Main Frame Extension Bar - 32 1/2"
11	4	80472	Main Frame Extension Bar - 30"
12	2	80474	Outer Main Frame Bar - 33"
13	6	80473	Outer Main Frame Bar - 29 9/16"
14	4	80475	Middle Main Frame Bar - 52"
15	8	80489	Sleeve
16	16	40714	Self Tapping Screw & Plastic Protector
	12	40714	Self Tapping Screw
17	8	80487	Black Plug
18	8	80488	Black End Cap
19	4	40103	5/16 Washer
20	12	80013	1/4 Nylon Hex Lock Nut

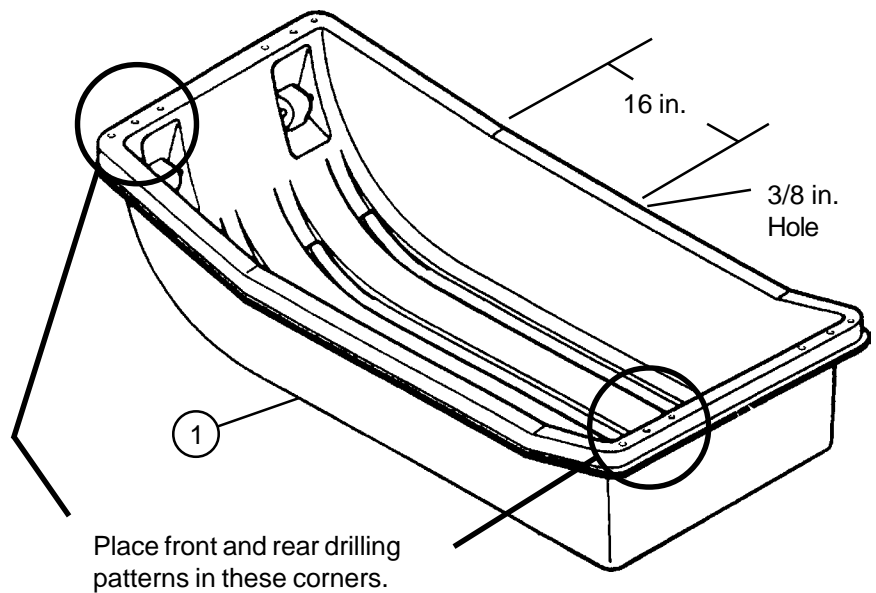


Tools Required:

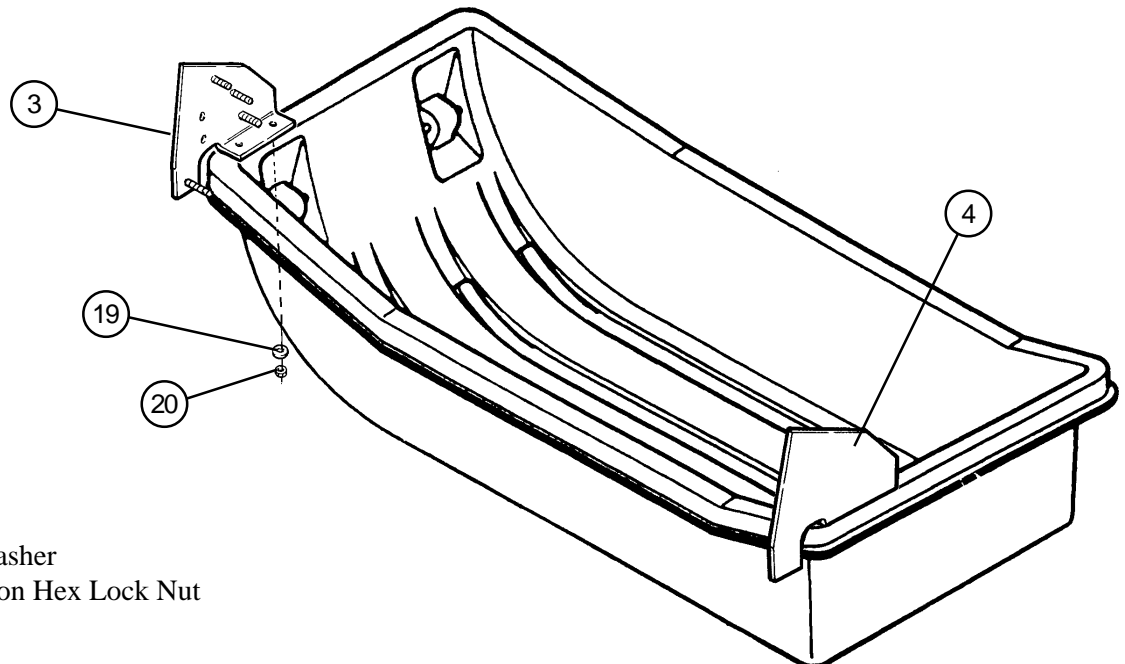
7/16" Box End Wrench 3/8 Bit
 7/16" Socket and Ratchet 5/16 Bit
 Drill/Driver
 Phillips Bit
 3/32 Drill Bit (optional)

Note: Install bench seat before the fish house framework.

1. Position sled (Item 1) as shown in Diagram 1, with curved front to your left. Using front drilling pattern (on back page) mark two holes for the front frame bracket with a sharp object. Using rear drilling pattern (on back page), repeat this step for the rear frame bracket.
2. Drill the 4 marked holes using a 5/16 bit.
3. Drill the 3/8 in. hole in center of lip approximately 16 inches from bend in sled. The back wind support bar (Item 5) is to be propped here.

Diagram 1

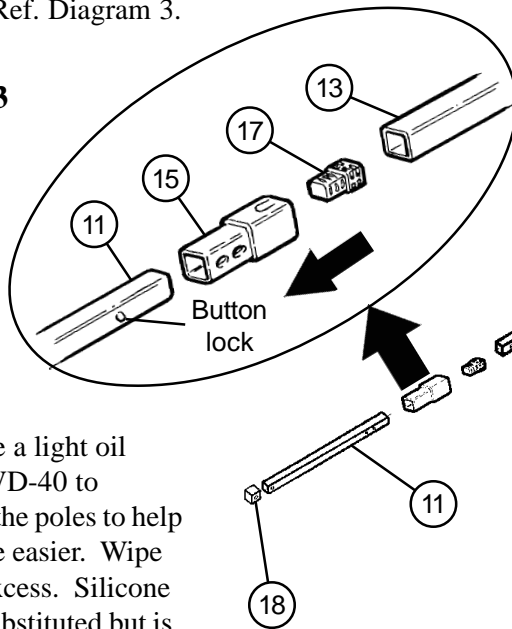
4. Bolt frame brackets (Item 3 and Item 4) to sled using holes predrilled in Step 2. Use appropriate fasteners shown in Diagram 2.

Diagram 2

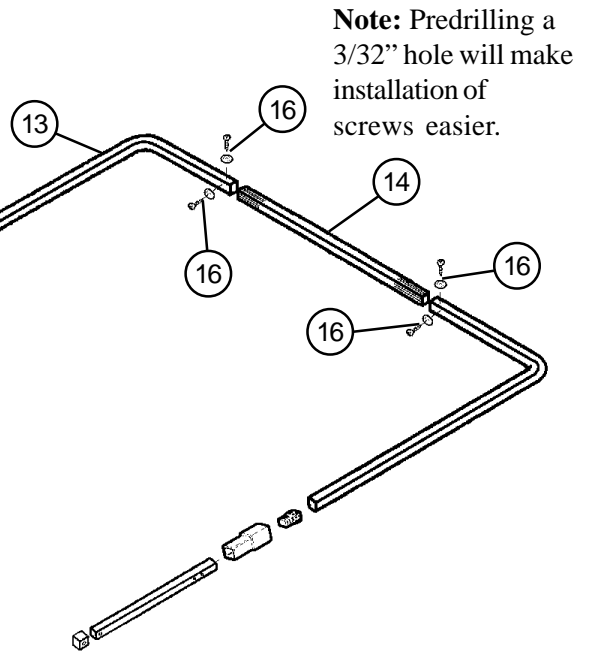
Item 19 - 5/16 Washer
 Item 20 - 1/4 Nylon Hex Lock Nut

5. Assemble **Back and Center Main Frame Bars**: Insert the outer main frame bar (Item 13) into the middle main frame bar (Item 14). Fasten with self-tapping screw and plastic protector (Item 16). Slide the sleeve (Item 15) over the main frame extension bar (Item 11). (**Line up holes with button lock, press lock in as you slide over the bar**). Insert the black plug (Item 17) into the main frame extension bar (Item 11). Insert outer main frame bar (Item 13) into sleeve (Item 15). Cover end of main frame extension bar (Item 11) with black end cap (Item 18). Ref. Diagram 3.

Diagram 3

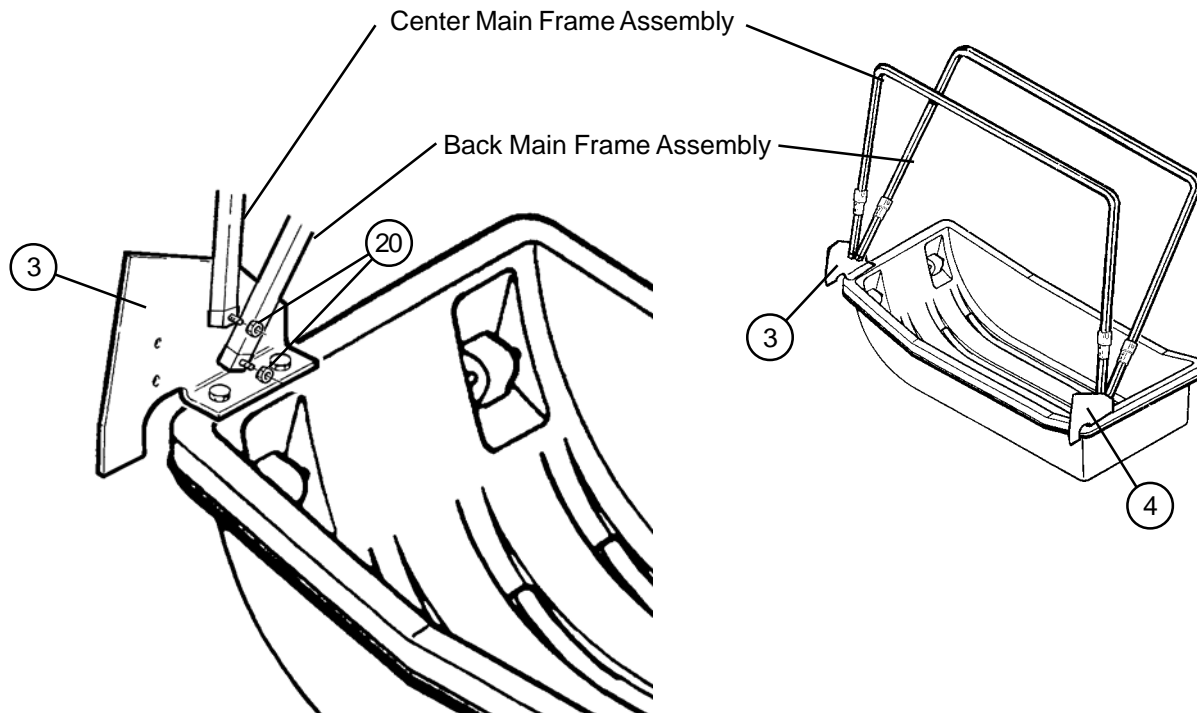


Note: Use a light oil such as WD-40 to lubricate the poles to help them slide easier. Wipe off any excess. Silicone may be substituted but is not as effective.



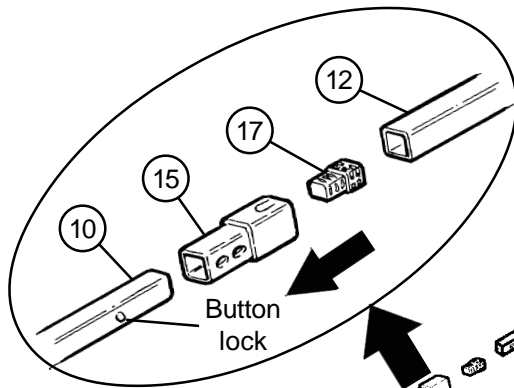
6. Attach **Back and Center** main frame assemblies (Assembled in Step 5) onto frame brackets (Item 3 and 4). Secure with 1/4 nylon hex lock nut (Item 20). Ref. Diagram 4.

Diagram 4

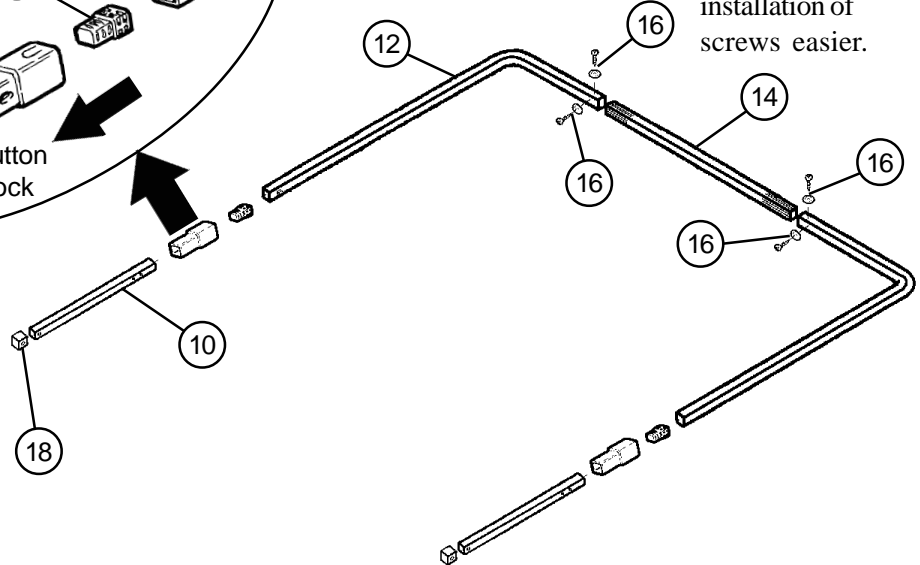


7. **Assemble Front Main Frame Bar:** Insert the outer main frame bar (Item 12) into the middle main frame bar (Item 14). Fasten with self-tapping screw and plastic protector (Item 16). Slide the sleeve (Item 15) over the main frame extension bar (Item 10). **(Line up holes with button lock, press lock in as you slide over the bar).** Insert the black plug (Item 17) into the main frame extension bar (Item 10). Insert outer main frame bar (Item 12) into sleeve (Item 15). Cover end of main frame extension bar (Item 10) with black end cap (Item 18). Ref. Diagram 5.

Diagram 5



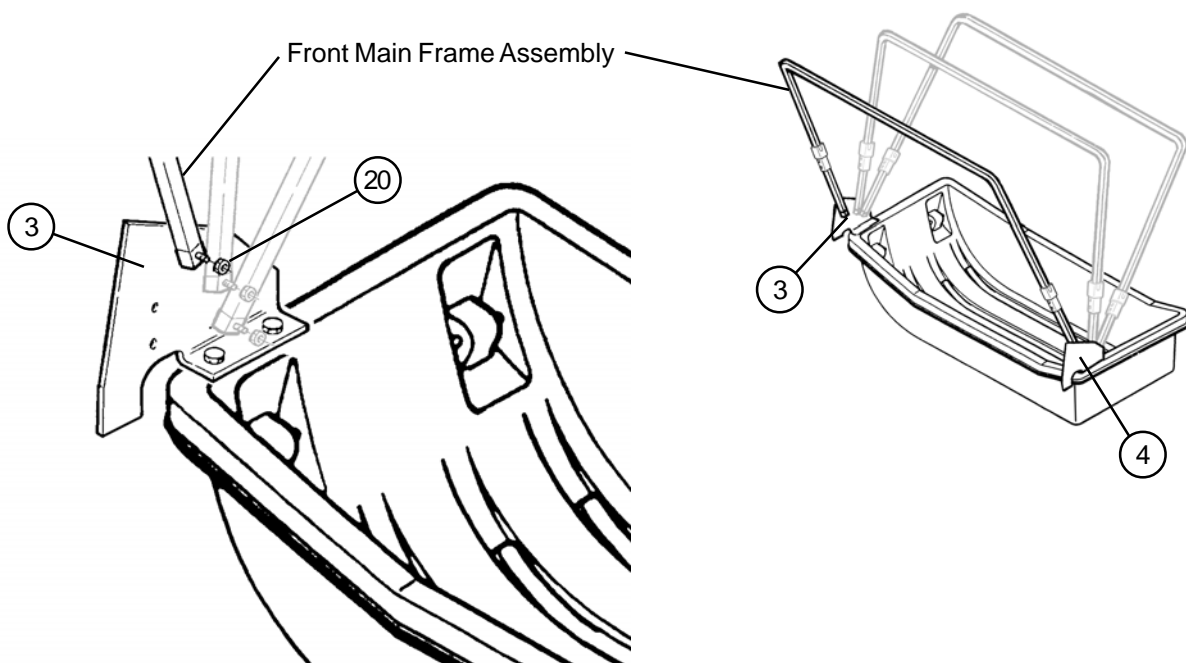
Note: Use a light oil such as WD-40 to lubricate the poles to help them slide easier. Wipe off any excess. Silicone may be substituted but is not as effective.



Note: Predrilling a 3/32" hole will make installation of screws easier.

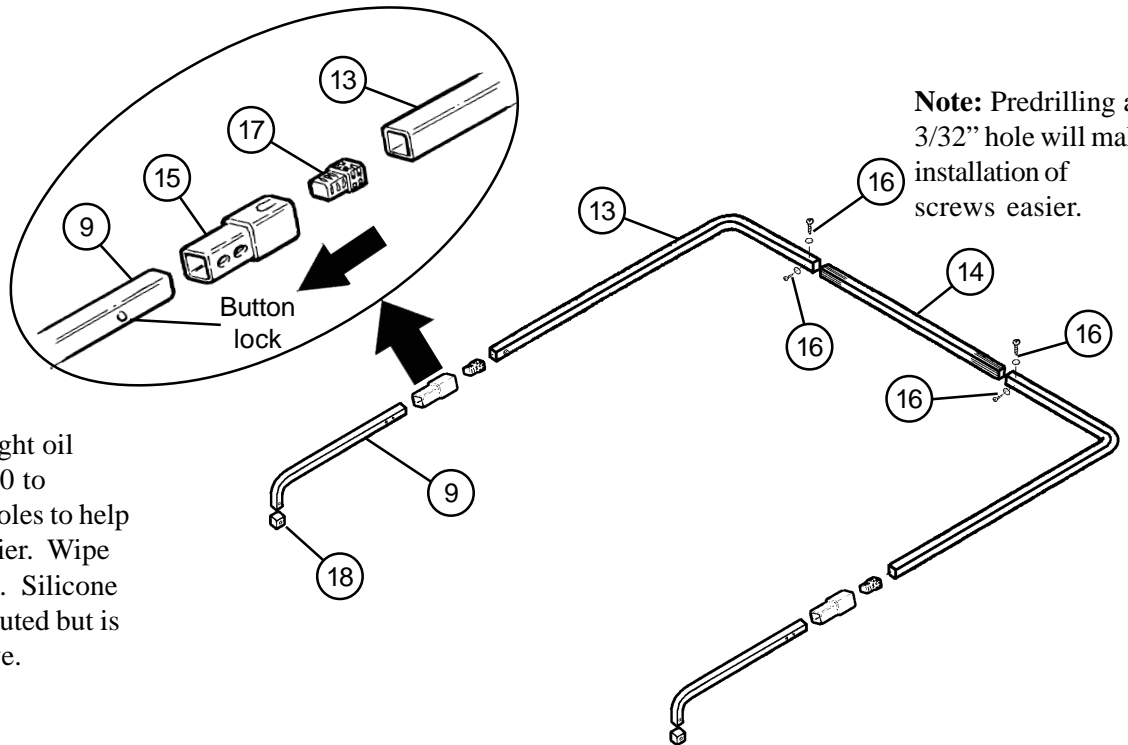
8. Attach **Front** main frame assembly (Assembled in Step 7) onto frame brackets (Item 3 and 4). Secure with 1/4 nylon hex lock nut (Item 20). Ref. Diagram 6.

Diagram 6



9. **Assemble Bottom Main Frame Bar:** Insert the outer main frame bar (Item 13) into the middle main frame bar (Item 14). Fasten with self-tapping screw and plastic protector (Item 16). Slide the sleeve (Item 15) over the main frame extension bar (Item 9). **(Line up holes with button lock, press lock in as you slide over the bar).** Insert the black plug (Item 17) into the main frame extension bar (Item 9). Insert outer main frame bar (Item 13) into sleeve (Item 15). Cover end of main frame extension bar (Item 9) with black end cap (Item 18). Ref. Diagram 7.

Diagram 7

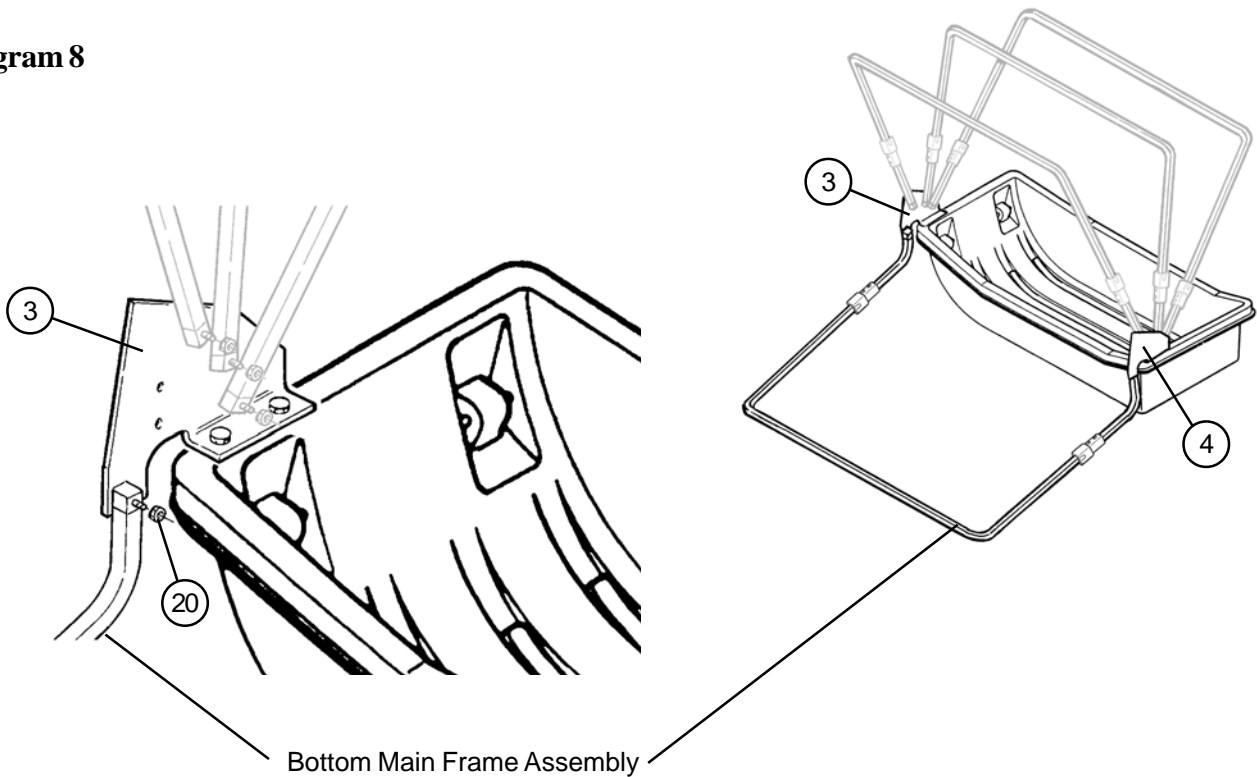


Note: Use a light oil such as WD-40 to lubricate the poles to help them slide easier. Wipe off any excess. Silicone may be substituted but is not as effective.

Note: Predrilling a 3/32" hole will make installation of screws easier.

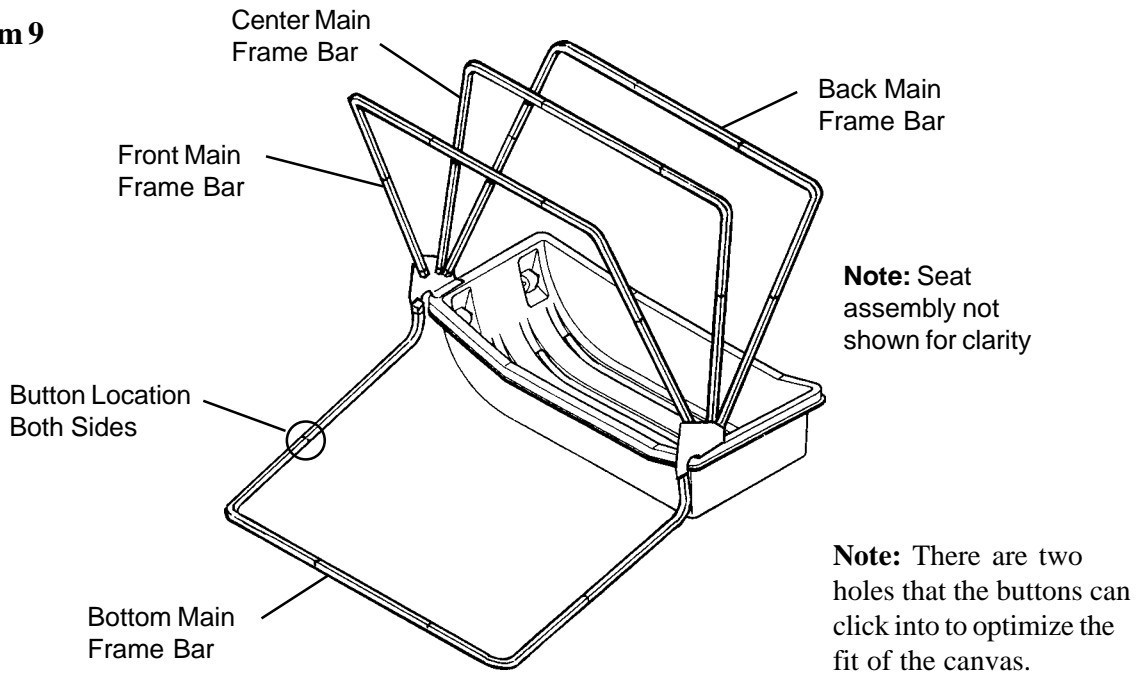
10. Attach **Bottom** main frame assembly (Assembled in Step 9) onto frame brackets (Item 3 and 4). Secure with 1/4 nylon hex lock nut (Item 20). Ref. Diagram 8.

Diagram 8



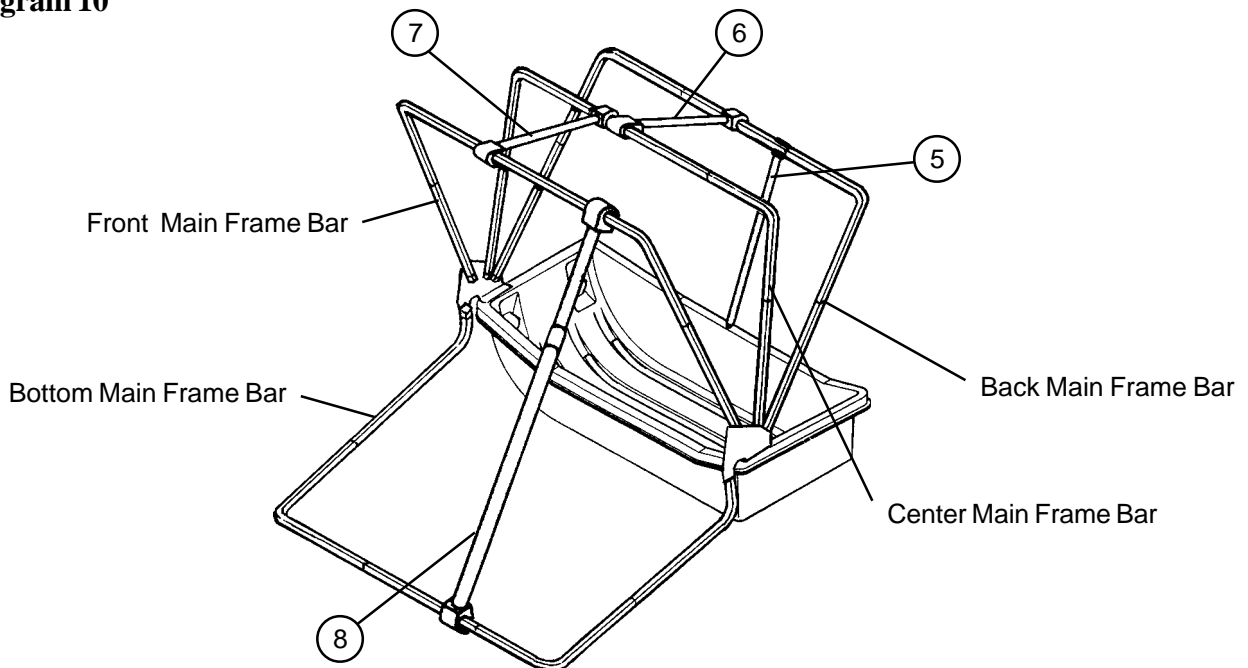
11. Set up main frame bars by grasping with both hands and pushing upward until button clicks into place. Start with bottom main frame bar and continue to the back main frame bar pushing lengthened bars into appropriate position Ref. Diagram 9.

Diagram 9



12. Install wind support bars starting in back (Item 5), up through center (Item 6), then between the front and center main frame bars (Item 7) and finally with adjustable wind support bar (Item 8) in front. Ref Diagram 10.

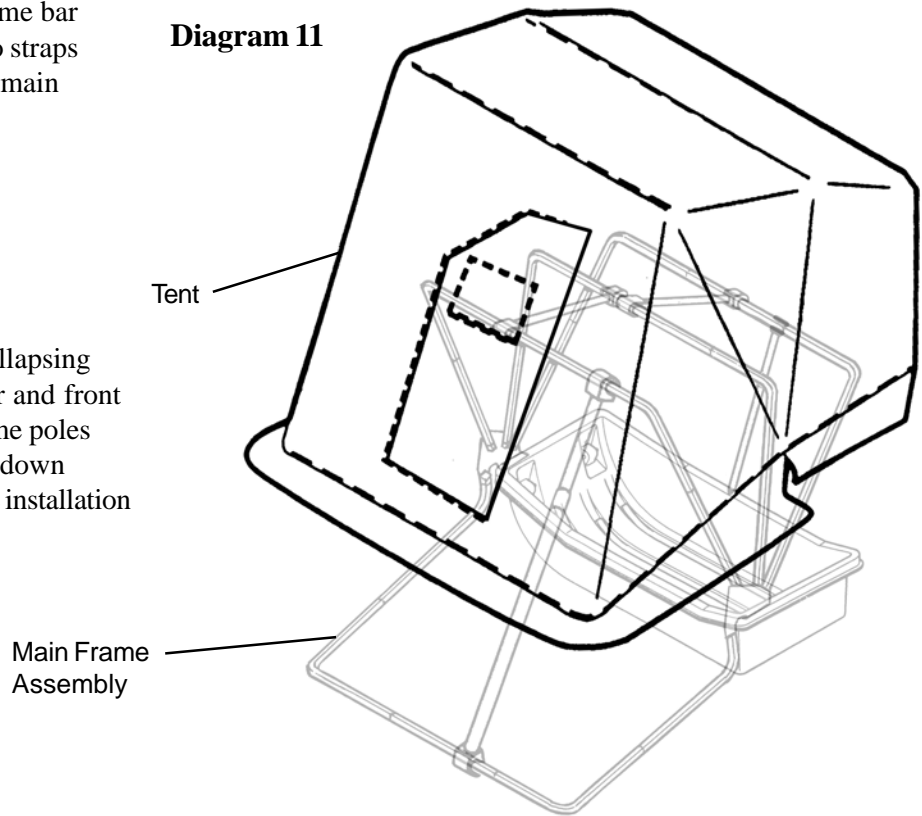
Diagram 10



13. Slide the tent over the main frame bar assembly, then fasten the velcro straps on the inside of the tent to each main frame bar. Ref. Diagram 11.

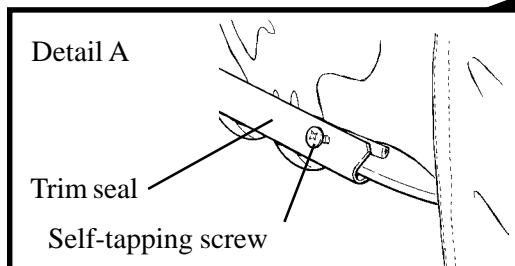
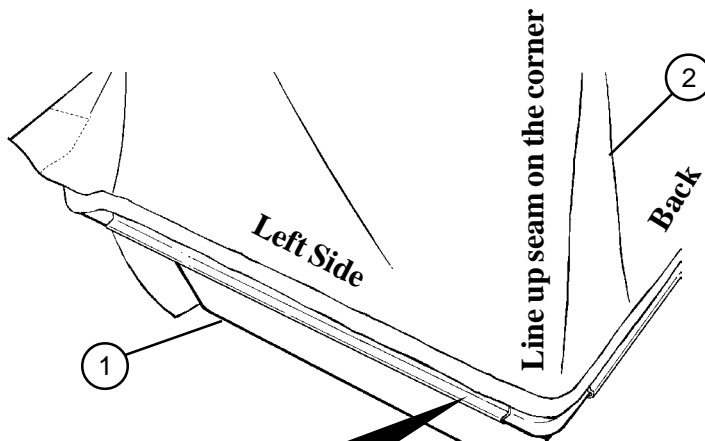
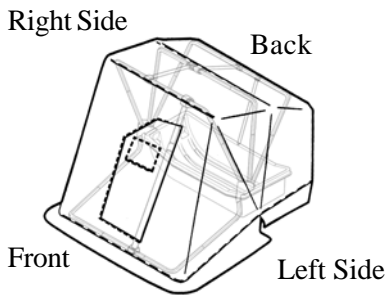
Diagram 11

Note: Collapsing the center and front main frame poles part way down will make installation easier.



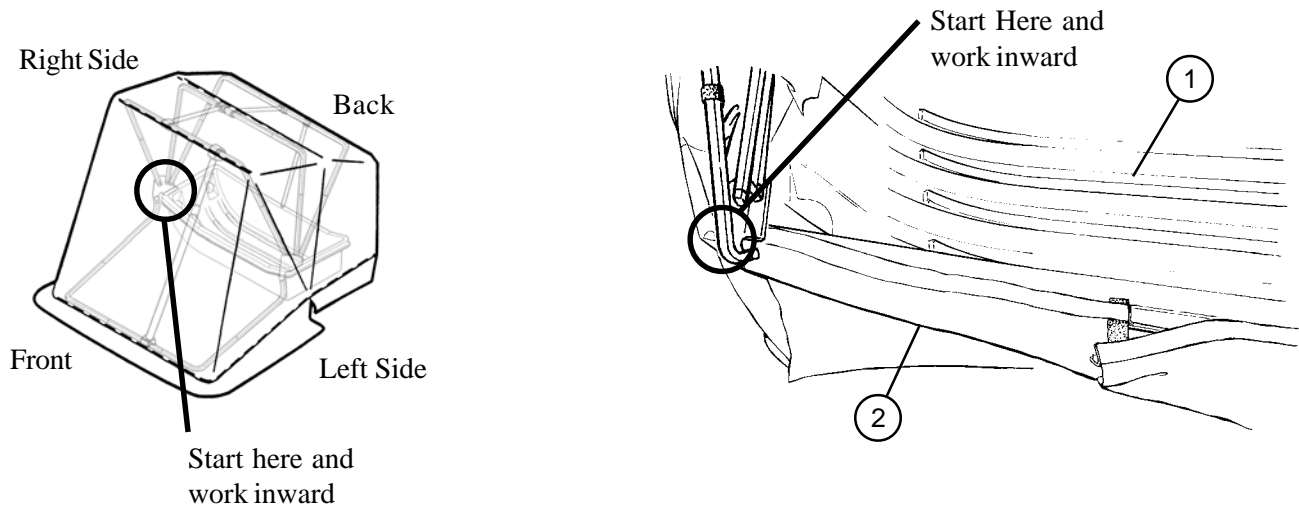
14. The canvas tent (Item 2) has a plastic trim seal sewn into the edge, snap the plastic trim seal to the edge of the sled (Item 1). Start at the front left corner and work your way around across the back and up the opposite side. Secure with extra self-tapping screws if needed. See detail A. Ref. Diagram 12.

Diagram 12



15. On the front of the fishhouse, start in the corners and work inward, snap the plastic trim seal on the canvas tent (Item 2) to the **top** edge of the sled (Item 1) Ref. Diagram 13.

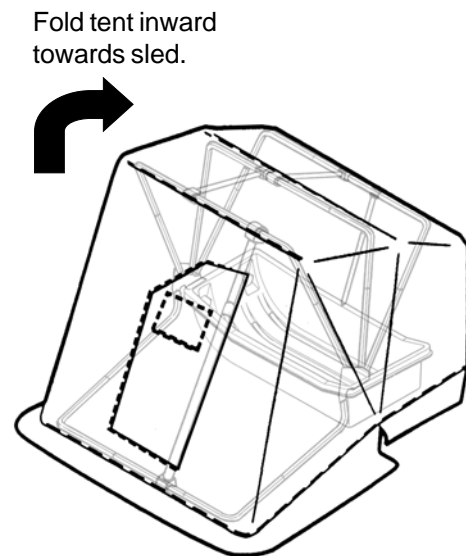
Diagram 13



16. The tent (Item 2) will meet in the middle and should be free to open and close so it can be removed.

To Collapse Tent and Transport:

1. Remove support bars and store inside the sled.
2. Retract main frame bars by pressing in button while sliding the bar farther into the tube.
3. Fold the tent in towards the sled so all the bars are laying on top of the sled.
4. Tuck in excess tent material.
5. Ready for transport.
6. Reverse to set up the fishhouse again.



General Note: Be careful with tent windows in cold weather, as creasing or crushing them will cause breakage.



Caution: Use adequate ventilation. Portable heaters use up oxygen and emit carbon monoxide. Use reflectors and identifying lights after dark or during limited visibility.

REAR OF SLED



Match this line to edge of sled.

**HOLE DRILLING PATTERN FOR
WILD LODGE PORTABLE FISH HOUSE
USING LARGE OTTER WILD SLED**

OUTSIDE EDGE OF SLED

**NOTE: Back of sled is slightly wider than front
of sled so hole placement is not the same.**

Drill two bracket holes using 5/16" drill bit.

Match this line to edge of sled.



FRONT OF SLED