



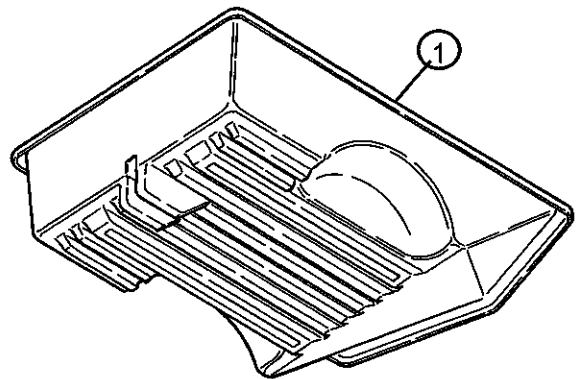
# Xpress IH Installation and Set-Up Instructions

## PARTS LIST

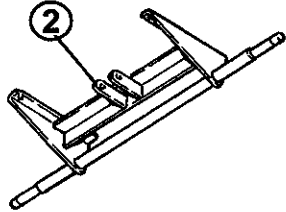
Item #	Qty	Description
1	1	Trailer
2	1	Axle
3	1	Universal Pivot
4	1	Tongue
5	1	Tongue Bracket
6	1	Tipper Latch
7	1	Coupler, 2" Ball, 1.5 x 2 Tube
8	2	Wheel
9	2	Castle Nut
10	2	Cotter Pin
11	4	7/16 x 1 Bolt
12	4	7/16 Lock Washer
13	2	7/16 x 3 1/4 Bolt
14	2	7/16 Nylon Lock Nut
15	2	3/8 x 1 Bolt
16	6	3/8 Nylon Lock Nut
17	3	3/8 x 2 1/2 Bolt
18	1	3/8 x 3 1/4 Bolt
19	4	7/16 Washer
20	2	3/8 Washer

## Tools Required:

Adjustable Crescent Wrench  
9/16 Socket and Ratchet  
5/8 Socket and Ratchet  
3/8 Bit  
Drill



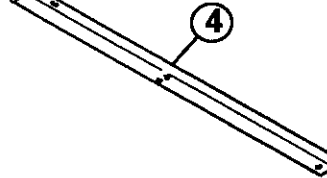
90152



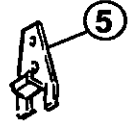
90177



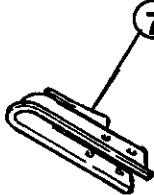
90180



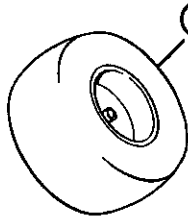
90165



90159



90172



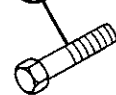
80132



10



11



12

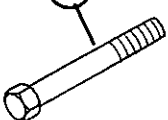


80120



80313 (Parts 10-20)

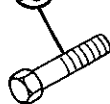
13



14



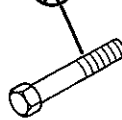
15



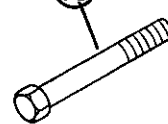
16



17



18



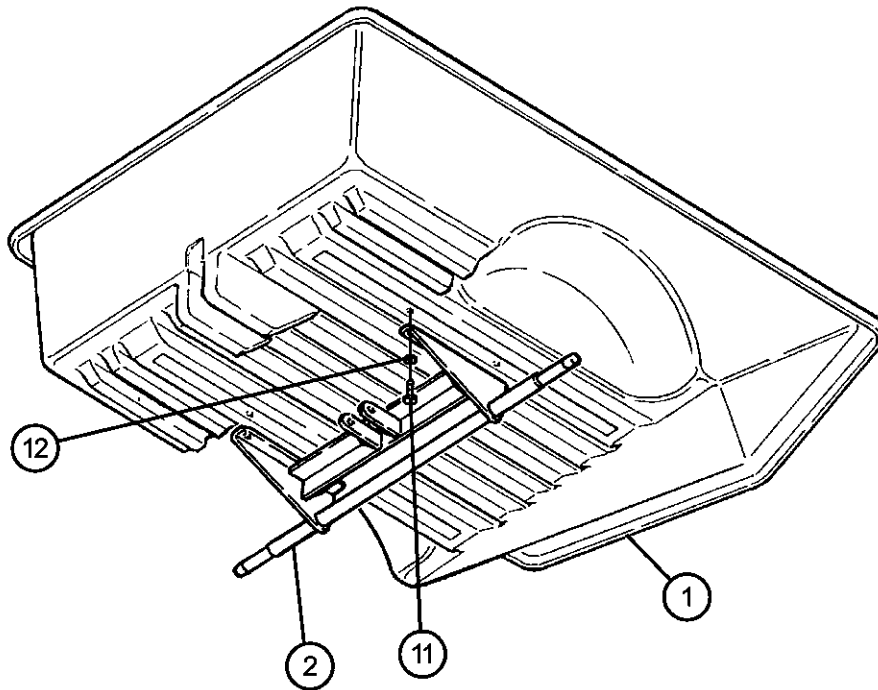
19



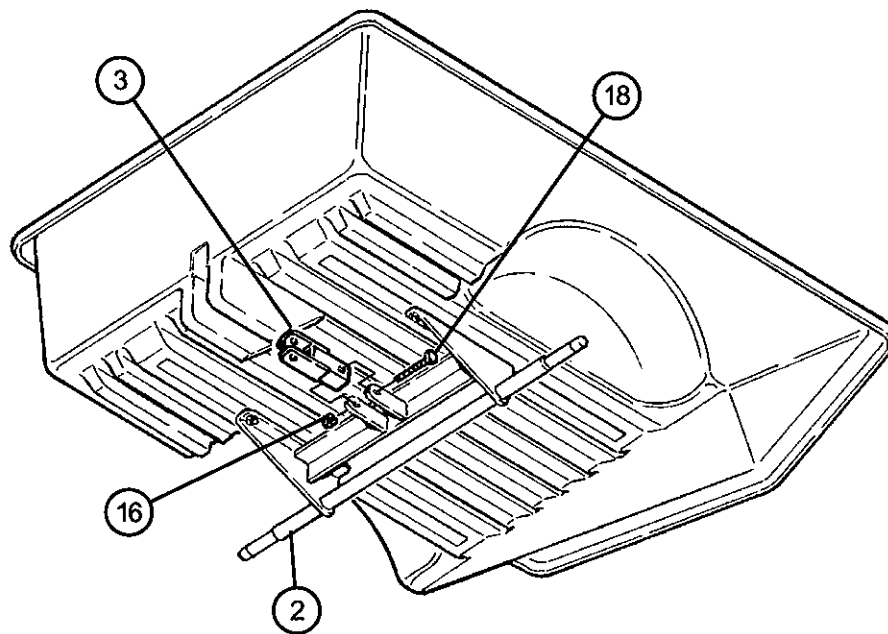
20



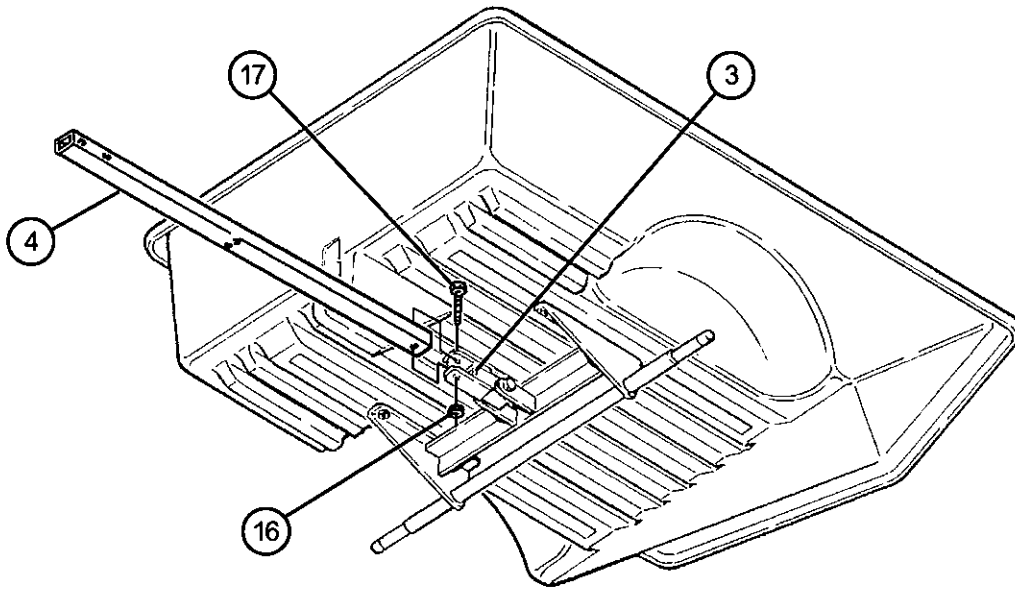
1. Attach the axle (Item 2) to the bottom side of the trailer (Item 1) with 7/16 x 1 1/4 bolts (Item 11) and 7/16 lock washer (Item 12).



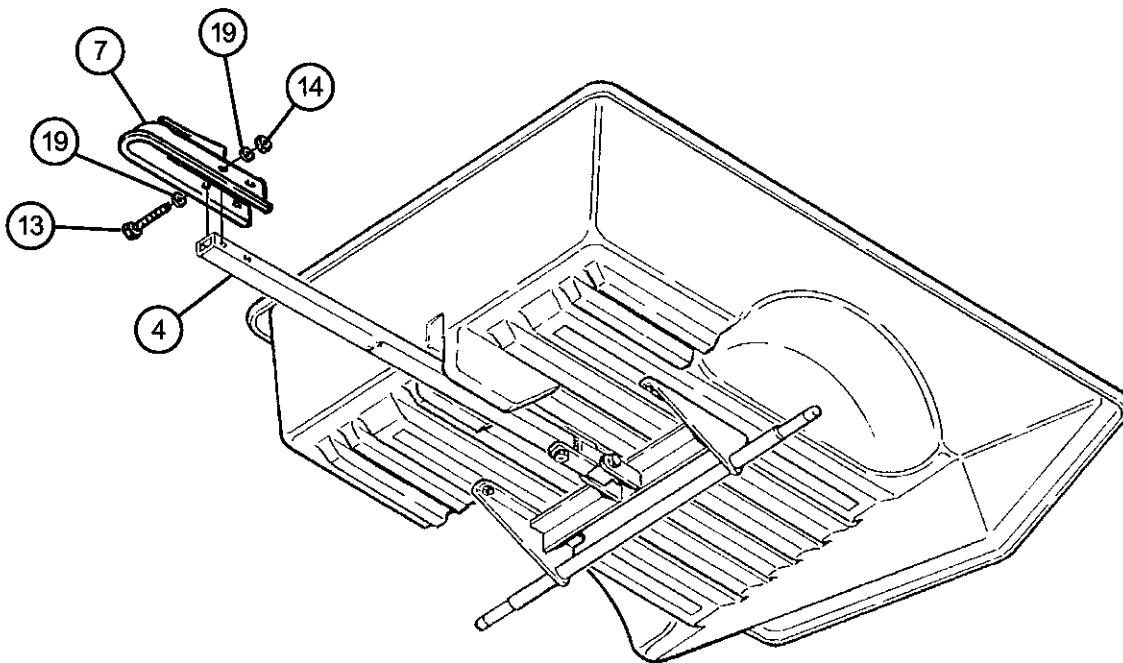
2. Attach the universal pivot (Item 3) to the axle (Item 2) with 3/8 x 3 1/4 bolt (Item 18) and 3/8 nylon lock nut (Item 16).



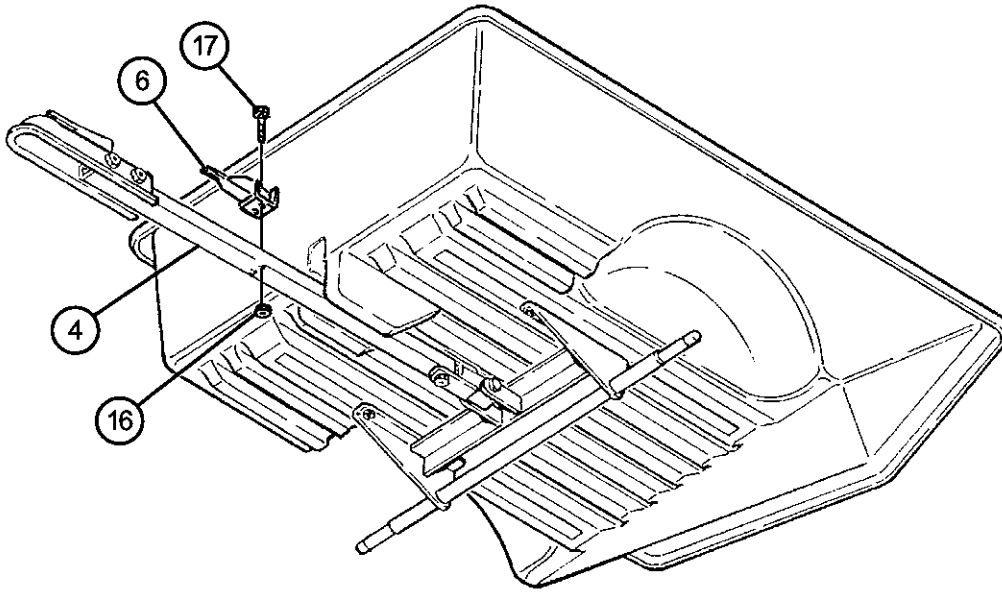
3. Attach the tongue (Item 4) to the universal pivot (Item 3) with 3/8 x 2 1/2 bolt (Item 17) and 3/8 nylon lock nut (Item 16).



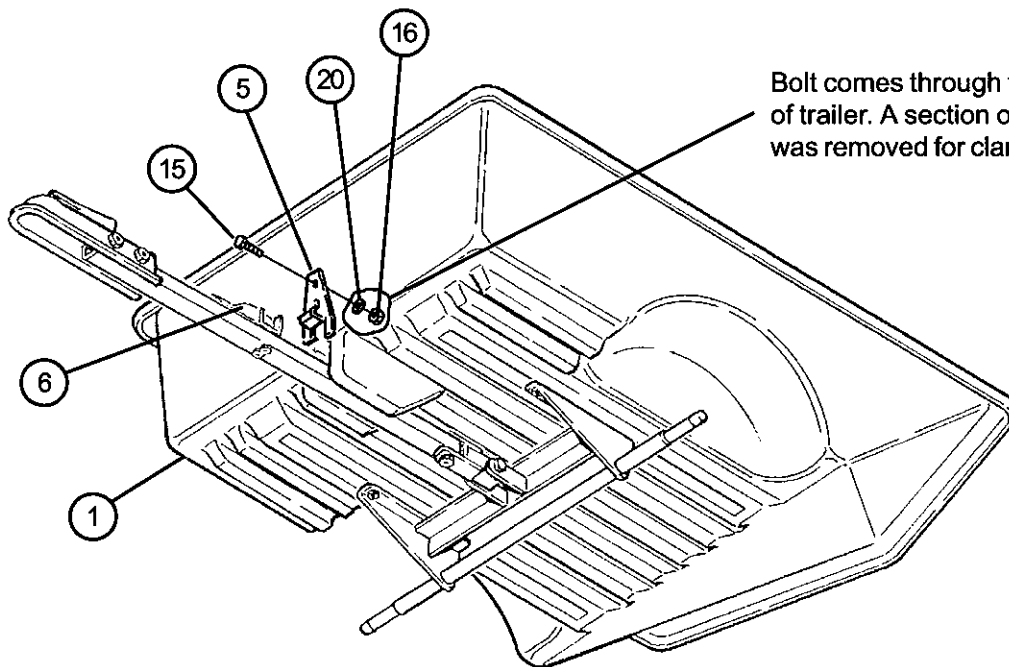
4. Attach the coupler (Item 7) to the tongue (Item 4) with 7/16 x 3 1/4 bolts (Item 13), 7/16 washer ((Item 19) and 7/16 nylon lock nuts (Item 14).



5. Attach the tipper latch (Item 6) to the tongue (Item 4) with 3/8 x 2 1/2 bolts (Item 17) and nylon lock nuts (Item 16).



6. Hold up tongue bracket (Item 5) to front of trailer (Item 1). Mark the two holes to be drilled. Drill the two holes with 3/8 bit. Attach the tongue bracket (Item 5) to the trailer (Item 1) with 3/8 x 1 1/4 bolts (Item 15), 3/8 washer (Item 20) and 3/8 nylon lock nuts (Item 16).



6. Slide wheel (Item 8) onto axle (Item 2). Turn castle nut (Item 9) onto axle finger tight. Push cotter pin (Item 10) through slots in castle nut (Item 9) and hole in axle (Item 2). Bend cotter pin (Item 10) over. Do the same for the other side.

