

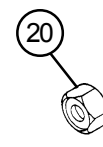
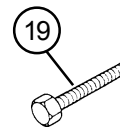
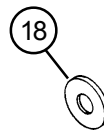
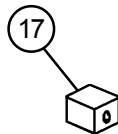
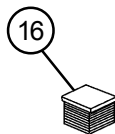
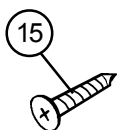
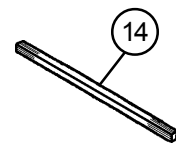
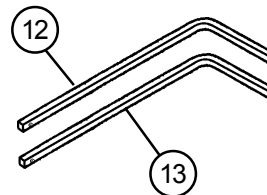
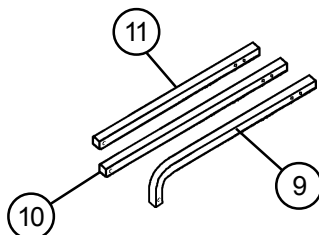
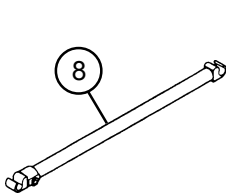
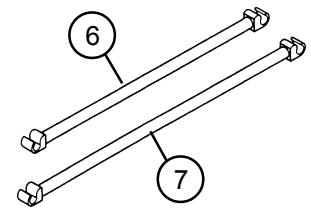
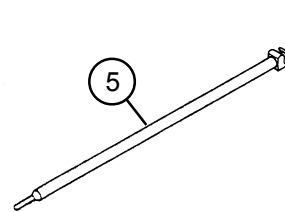
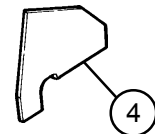
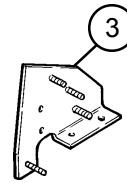
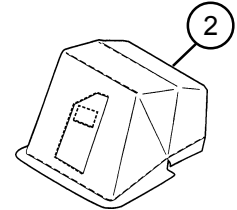
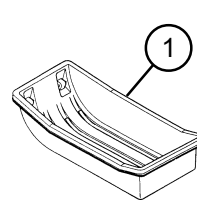


Otter II Cabin Installation and Set-Up Instructions

Otter II Cabin Fits Medium Otter II Sled Only Parts Identification and Check List

PARTS LIST

Item #	Qty	Part #	Description
1	0	1130	Sled - Black (Sold Separately)
		1131	Sled - Olive Drab (Sold Separately)
2	1	90082	Canvas Tent - Purple or
		90083	Canvas Tent - Green
3	1	80172	Frame Bracket "A"
4	1	80171	Frame Bracket "B"
5	1	80409	Back Wind Support Bar - 47 1/2"
6	1	80410	Center Wind Support Bar - 26 5/8"
7	1	80411	Center Wind Support Bar - 40 1/2"
8	1	80405	Adjustable Front Wind Support Bar
9	2	80432	Main Frame Extension Bar - 25 1/2"
10	2	80433	Main Frame Extension Bar - 27 1/2"
11	4	80434	Main Frame Extension Bar - 26"
12	2	80435	Outer Main Frame Bar - 31 3/4"
13	6	80408	Outer Main Frame Bar - 30 1/2"
14	4	80407	Middle Main Frame Bar - 45"
15	8	40714	Self Tapping Screw
16	8	90170	Black Plug
17	8	90171	Black End Cap
18	4	40103	5/16 Washer
19	4	80000	1/4 x 1 Hex Bolt
20	12	80013	1/4 Nylon Hex Lock Nut



Otter II Cabin

Fits Medium Otter II Sled Only

Assembly Instructions

Tools Required:

7/16 Box End Wrench
7/16 Socket and Ratchet
Drill

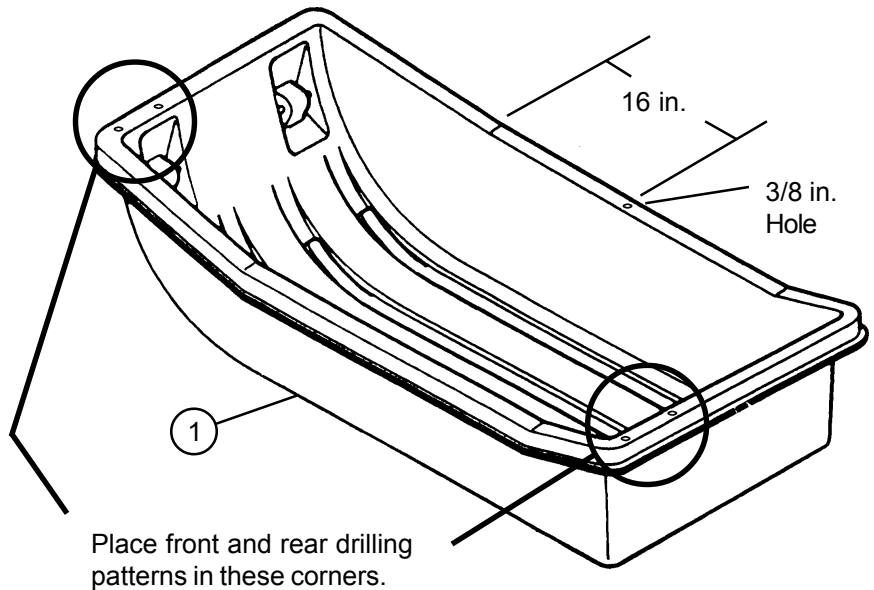
3/8 Bit
5/16 Bit

Sled Size Required:

Medium Otter II

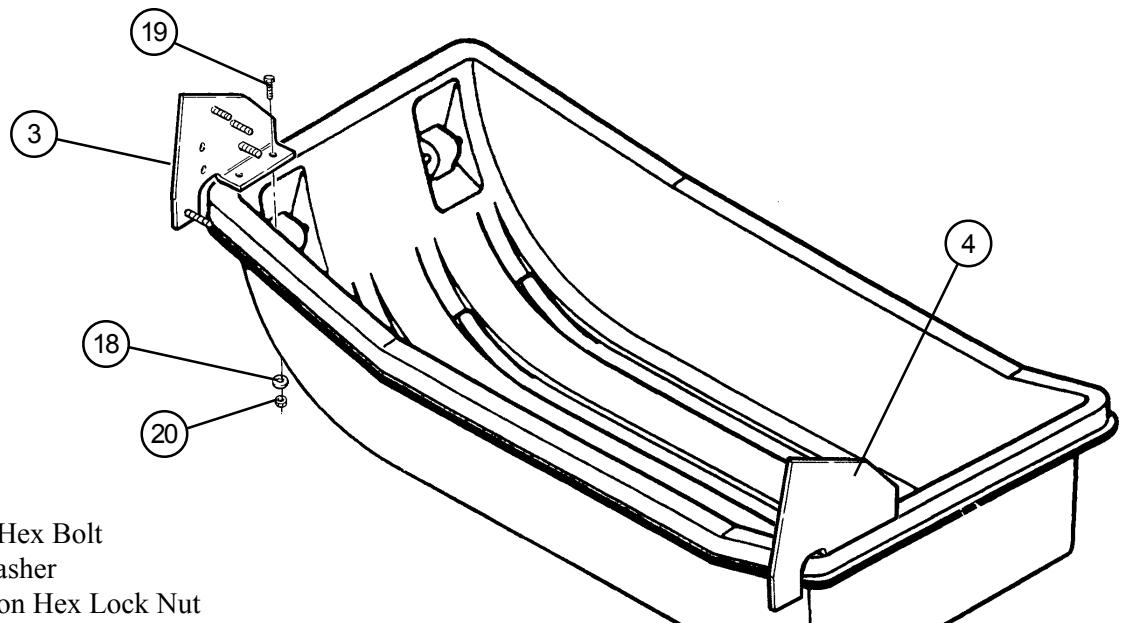
1. Layout all parts.
2. Position sled (Item 1) as shown in Diagram 1, with curved front to your left. Using front drilling pattern (on back page) mark two holes for the front frame bracket with a sharp object. Using rear drilling pattern (on back page), repeat this step for the rear frame bracket.
3. Drill the 4 marked holes using a 5/16 bit.
4. Drill the 3/8 in. hole in center of lip approximately 16 inches from bend in sled. The back wind support bar (Item 5) is to be propped here.

Diagram 1



5. Bolt frame brackets (Item 3 and Item 4) to sled using holes predrilled in Step 3. Use appropriate fasteners shown in Diagram 2.

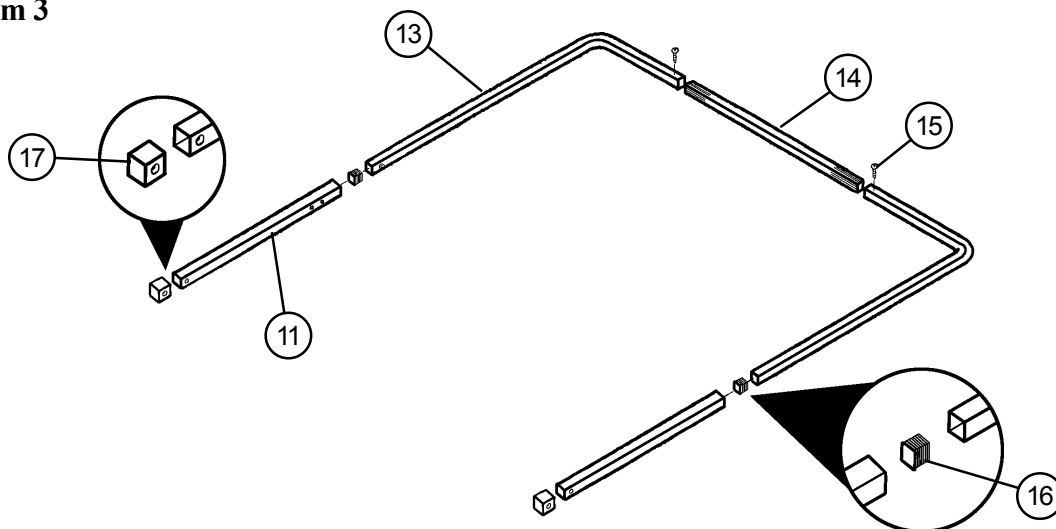
Diagram 2



Item 19 - 1/4 x 1 Hex Bolt
Item 18 - 5/16 Washer
Item 20 - 1/4 Nylon Hex Lock Nut

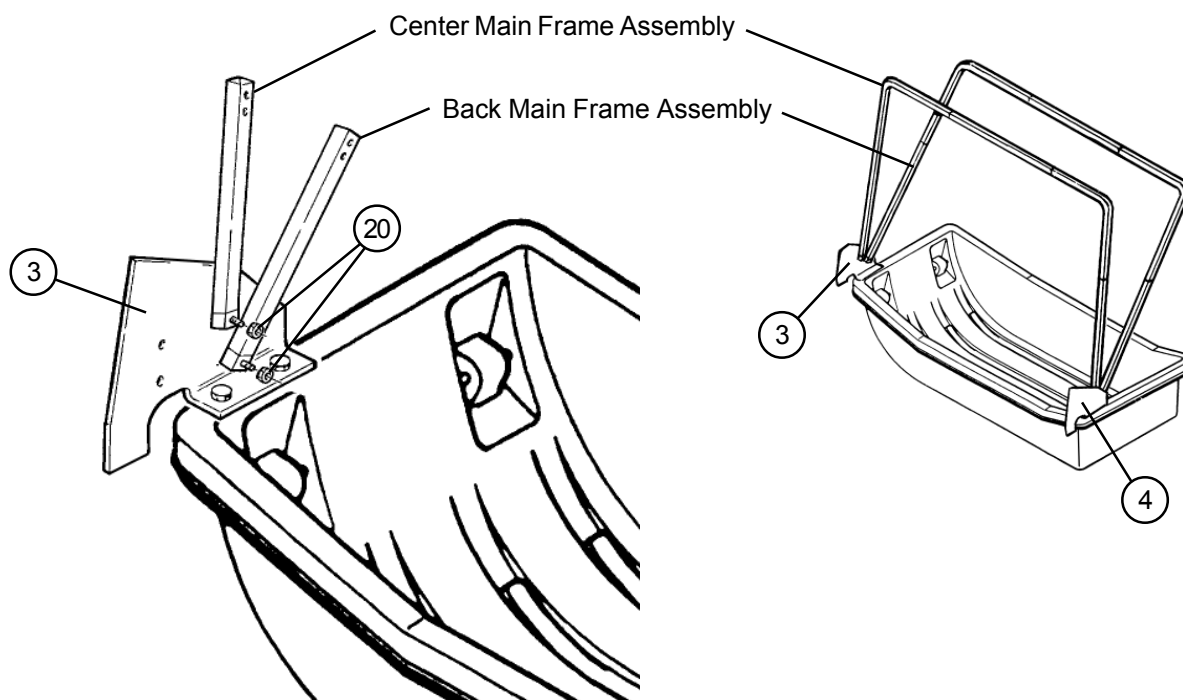
6. **Assembling Back and Center Main Frame Bar:** Insert the middle main frame bar (Item 14) into the outer main frame bar (Item 13). Insert the plug (Item 16) into the outer main frame bar (Item 13). Insert the main frame extension bar (Item 11) into the outer main frame bar (Item 13). **(Line up holes with button lock, push lock in as you slide in the bar. Use WD-40 to make assembly easier.)** Cover end of main frame extension bar (Item 11) with end cap (Item 17). Secure middle main frame bar (Item 14) to outer main frame bar (Item 13) with self tapping screws (Item 15). Ref. Diagram 3.

Diagram 3



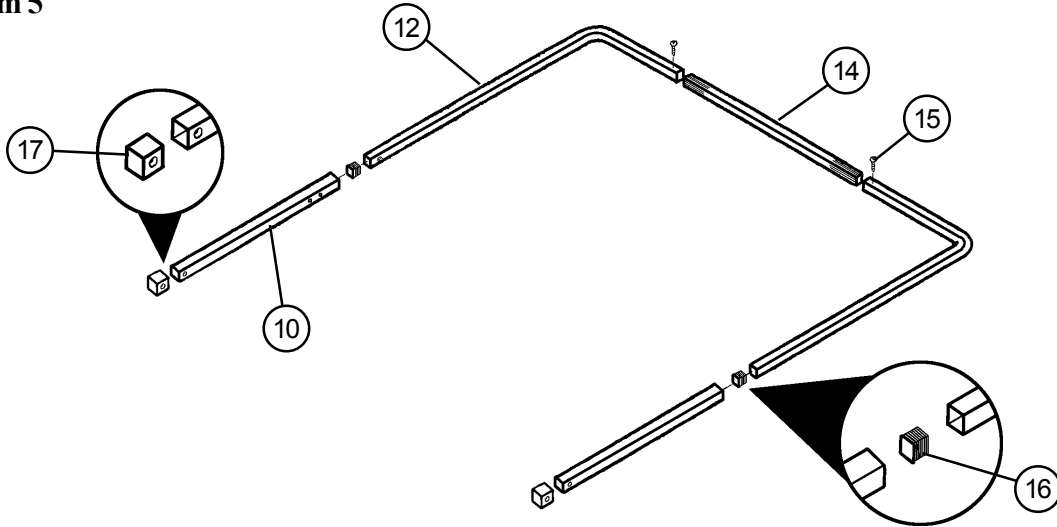
7. Assemble **Back and Center** main frame assemblies (Assembled in Step 6) into frame brackets (Item 3 and 4). Secure with 1/4 nylon hex lock nut (Item 20). Ref. Diagram 4.

Diagram 4



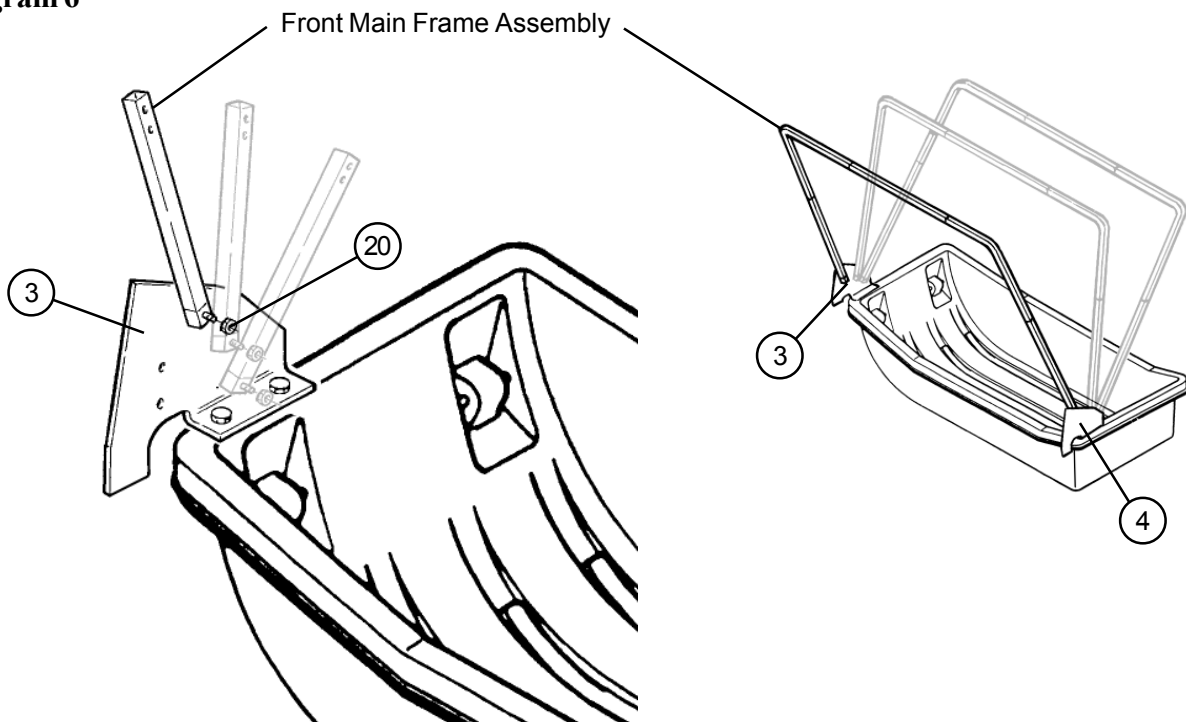
8. **Assembling Front Main Frame Bar:** Insert the middle main frame bar (Item 14) into the outer main frame bar (Item 12). Insert the plug (Item 16) into the outer main frame bar (Item 12). Insert the main frame extension bar (Item 10) into the outer main frame bar (Item 12). **(Line up holes with button lock, push lock in as you slide in the bar. Use WD-40 to make assembly easier.)** Cover end of main frame extension bar (Item 10) with end cap (Item 17). Secure middle main frame bar (Item 14) to outer main frame bar (Item 12) with self tapping screws (Item 15). Ref. Diagram 5.

Diagram 5



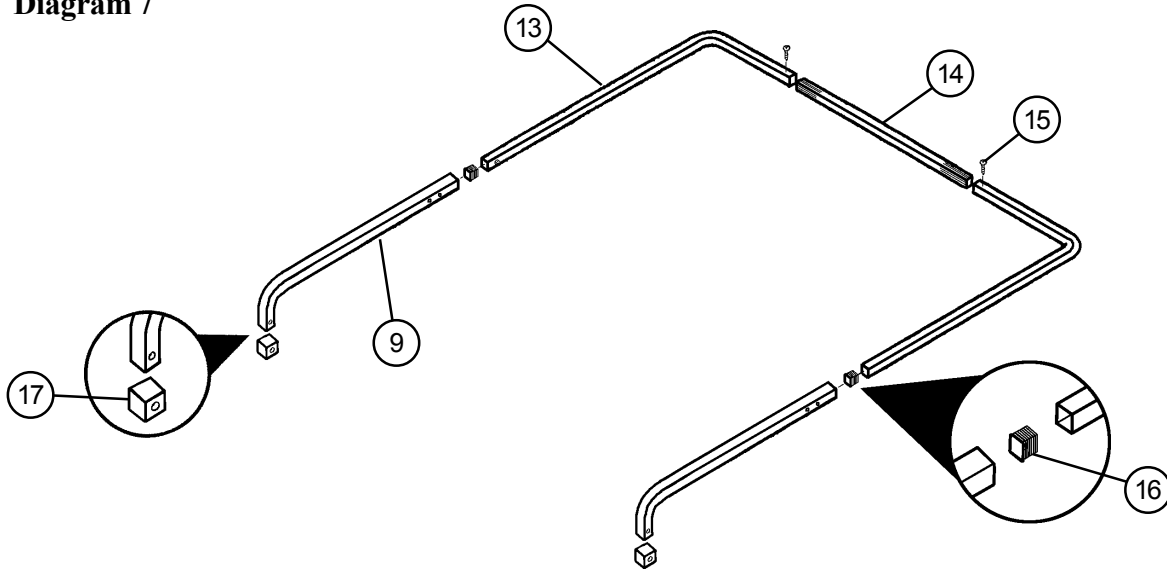
9. Assemble **Front** main frame assembly (Assembled in Step 8) into frame brackets (Item 3 and 4). Secure with 1/4 nylon hex lock nut (Item 20). Ref. Diagram 6

Diagram 6



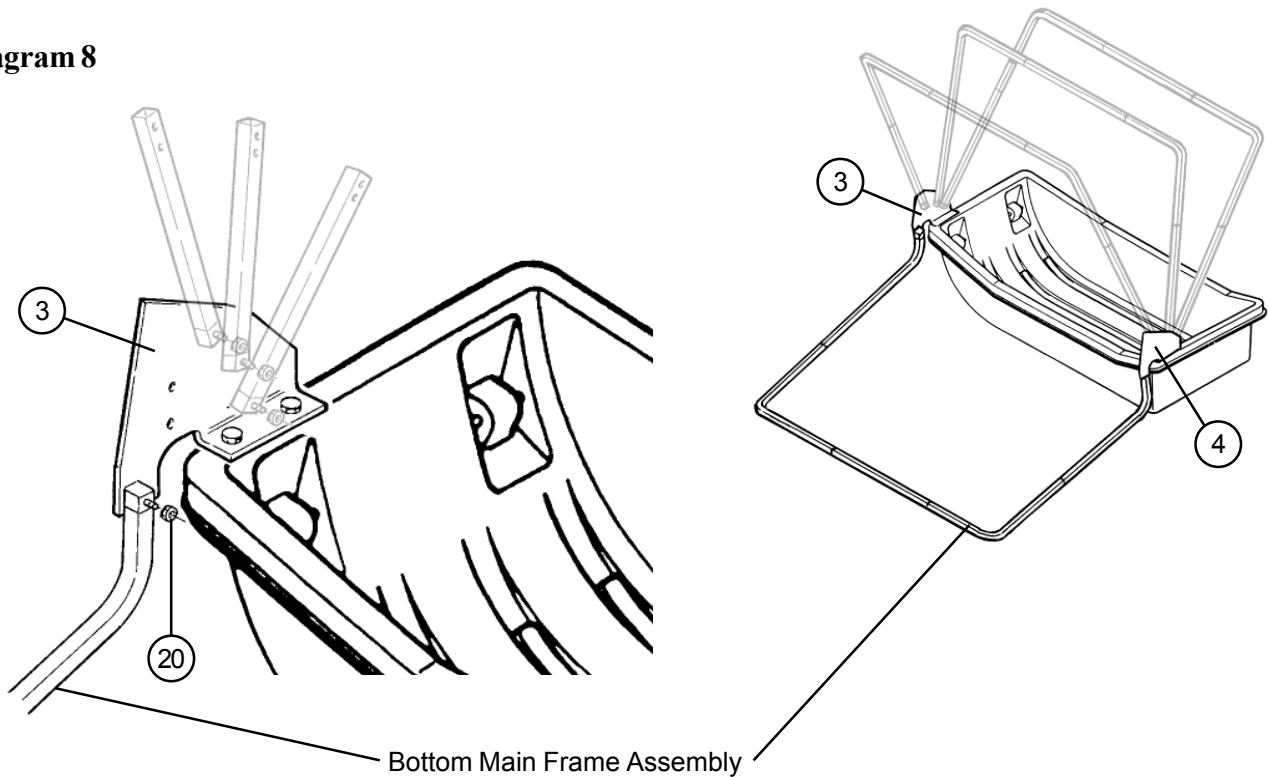
10. **Assembling Bottom Main Frame Bar:** Insert the middle main frame bar (Item 14) into the outer main frame bar (Item 13). Insert the plug (Item 16) into the outer main frame bar (Item 13). Insert the main frame extension bar (Item 9) into the outer main frame bar (Item 13). **(Line up holes with button lock, push lock in as you slide in the bar. Use WD-40 to make assembly easier.)** Cover end of main frame extension bar (Item 9) with end cap (Item 17). Secure middle main frame bar (Item 14) to outer main frame bar (Item 13) with self tapping screws (Item 15). Ref. Diagram 7.

Diagram 7



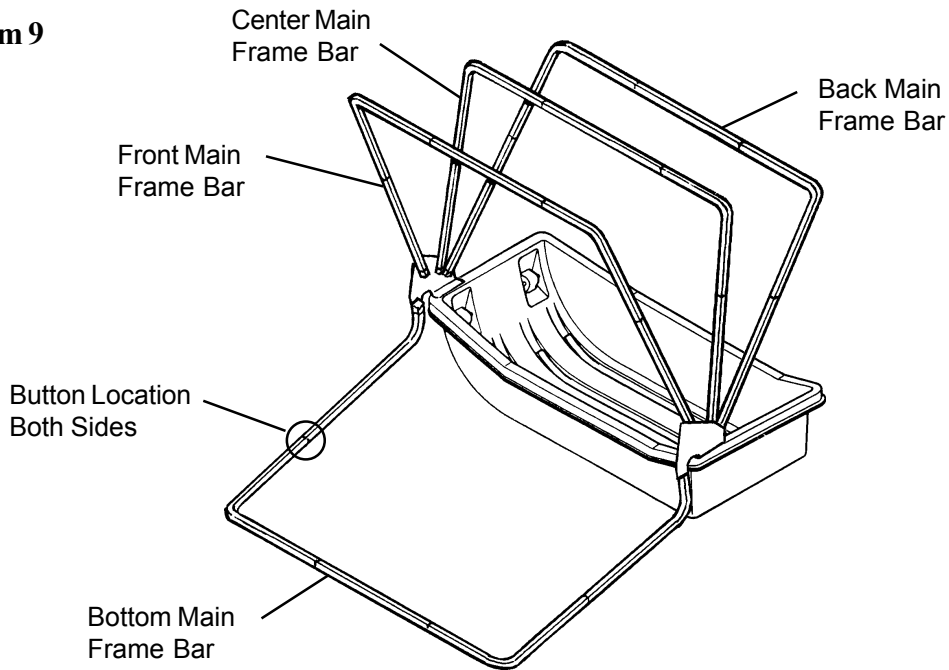
11. Assemble **Bottom** main frame assembly (Assembled in Step 8) into frame brackets (Item 3 and 4). Secure with 1/4 nylon hex lock nut (Item 20). Ref. Diagram 8.

Diagram 8



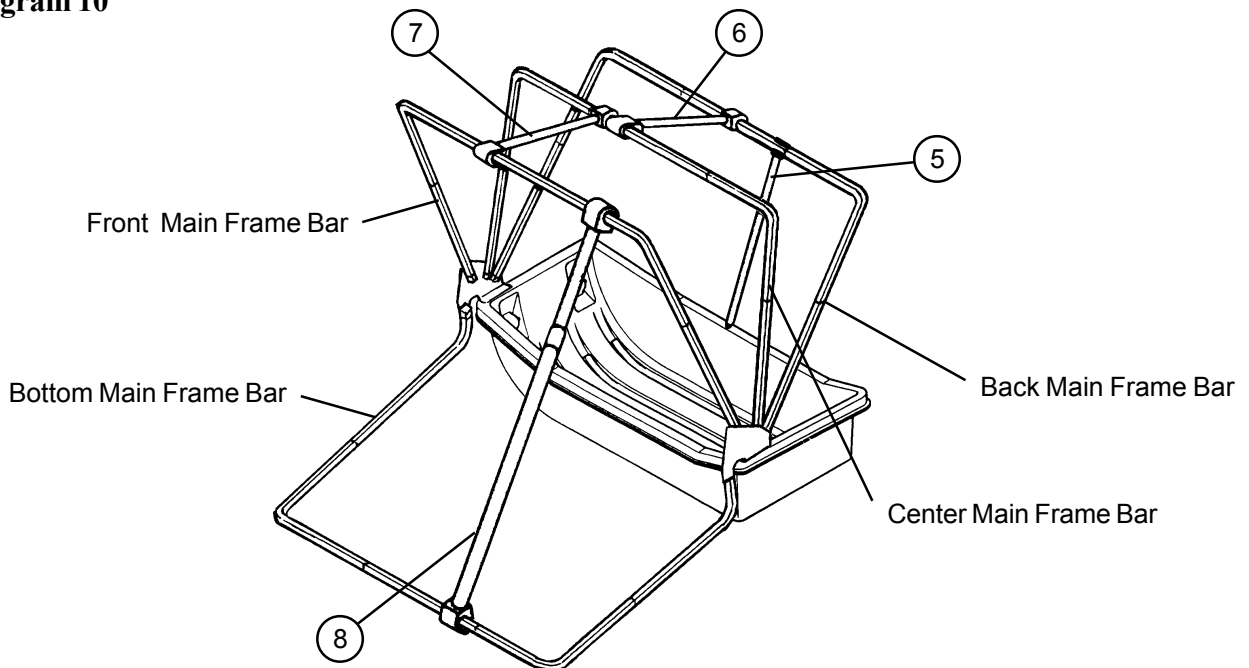
12. Set up main frame bars by grasping with both hands and pushing upward until button clicks into place. Start with bottom main frame bar and continue to the back main frame bar pushing lengthened bars into appropriate position (Ref. Diagram 9).

Diagram 9



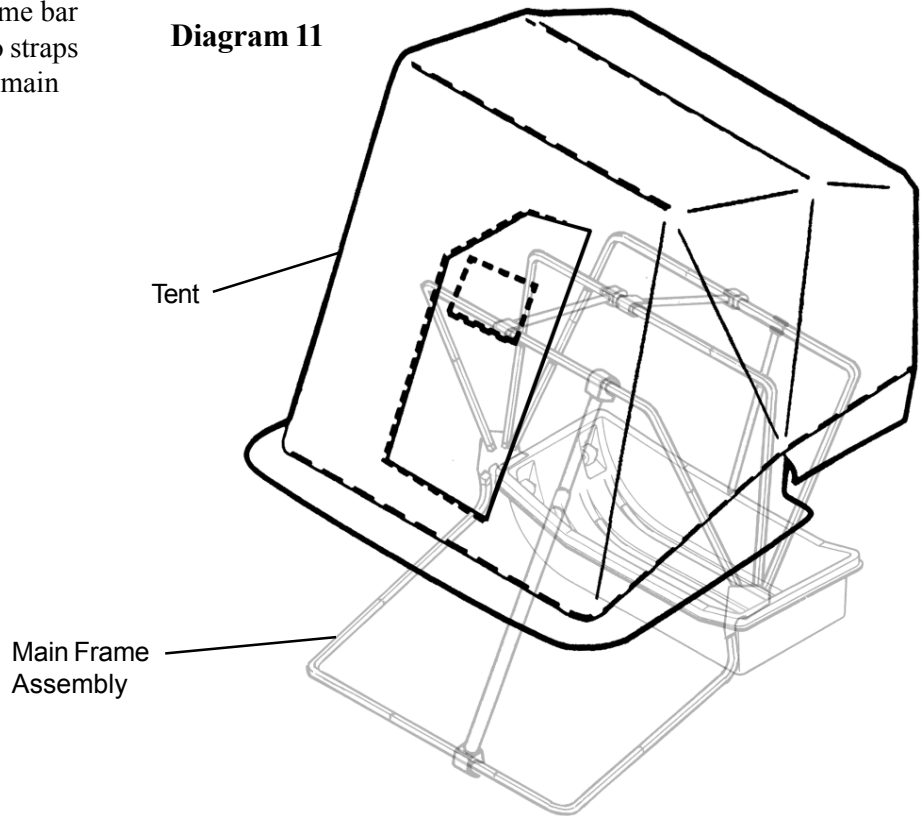
13. Install wind support bars starting in back (Item 5), up through center (Item 6), then between the front and center main frame bars (Item 7) and finally with adjustable wind support bar (Item 8) in front (Ref Diagram 10).

Diagram 10



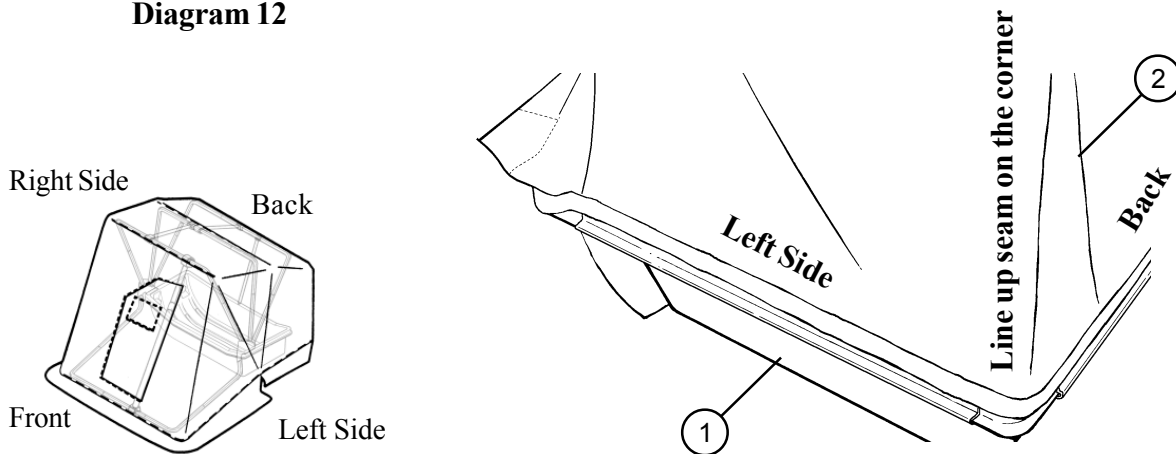
14. Slide the tent over the main frame bar assembly, then fasten the velcro straps on the inside of the tent to each main frame bar. (Ref. Diagram 11)

Diagram 11



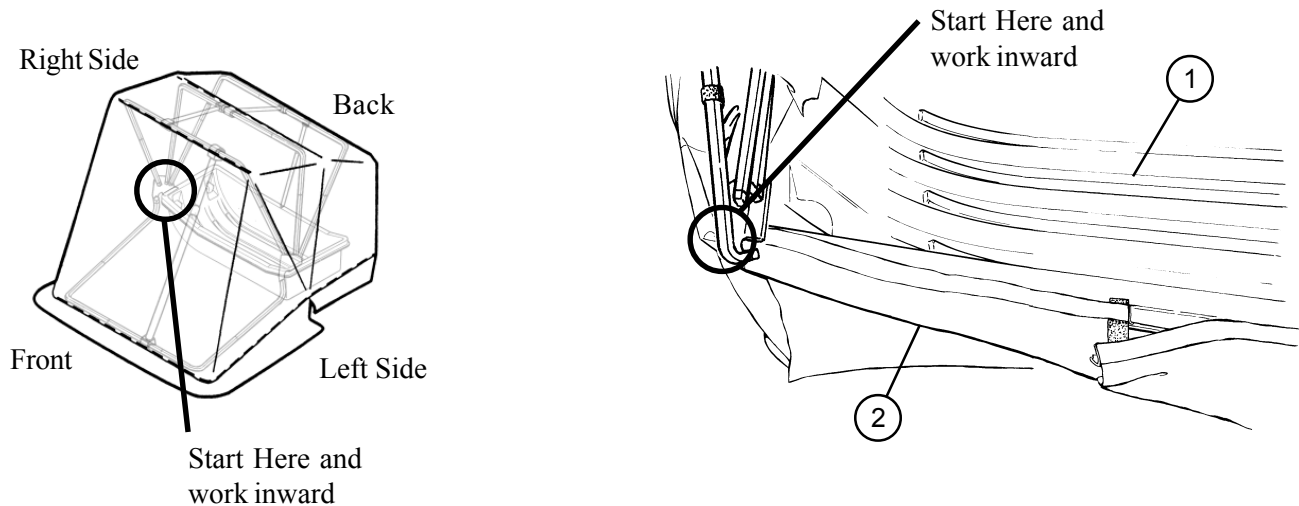
15. The canvas tent (Item 2) has a plastic trim seal sewn into the edge, snap the plastic trim seal to the edge of the sled (Item 1). Start at the front left corner and work your way around across the back and up the opposite side. (Ref. Diagram 12)

Diagram 12



16. On the front of the fishhouse, start in the corners and work inward, snap the plastic trim seal on the canvas tent (Item 2) to the **top** edge of the sled (Item 1) (Ref. Diagram 13).

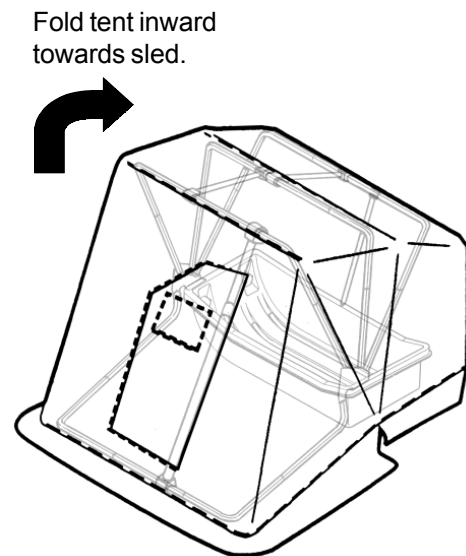
Diagram 13



17. The tent (Item 2) will meet in the middle and should be free to open and close so it can be removed.

To Collapse Tent and Transport:

1. Remove support bars and store inside the sled.
2. Retract main frame bars by pressing in button while sliding the bar farther into the tube.
3. Fold the tent in towards the sled so all the bars are laying on top of the sled.
4. Tuck in excess tent material.
5. Ready for transport.
6. Reverse to set up the fishhouse again.



General Note: Be careful with tent windows in cold weather, as creasing or crushing them will cause breakage.



Caution: Use adequate ventilation. Portable heaters use up oxygen and emit carbon monoxide. Use reflectors and identifying lights after dark or during limited visibility.

REAR OF SLED



Match this line to edge of sled.

HOLE DRILLING PATTERN FOR OTTER II MEDIUM CABIN USING MEDIUM OTTER II SLED

NOTE: Back of sled is slightly wider than front
of sled so hole placement is not the same.

Drill two bracket holes using 5/16" drill bit.

Match this line to edge of sled.



FRONT OF SLED

OUTSIDE EDGE OF SLED