

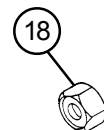
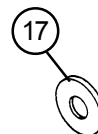
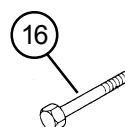
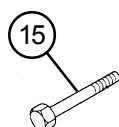
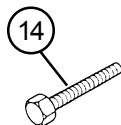
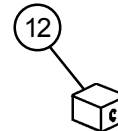
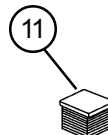
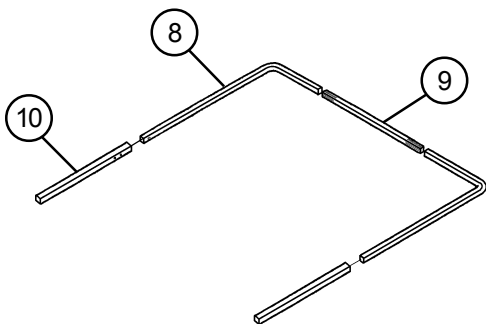
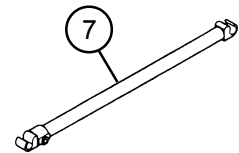
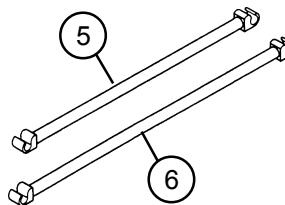
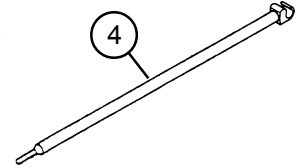
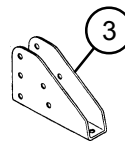
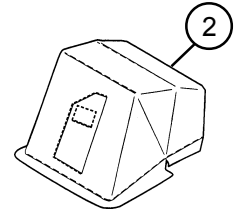
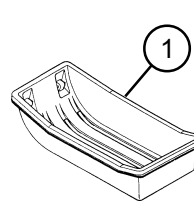


Otter II Den Installation and Set-Up Instructions

Otter II Den Fits Small Otter II Sled Only Parts Identification and Check List

PARTS LIST

Item #	Qty	Part #	Description
1	0	1120	Sled (Sold Separately)
2	1	90080	Canvas Tent - Purple or
	1	90081	Canvas Tent - Green
3	2	80088	Frame Bracket
4	1	80284	Back Wind Support Bar - 40 1/2"
5	1	80285	Center Wind Support Bar - 23"
6	1	80286	Center Wind Support Bar - 27"
7	1	80405	Adjustable Front Wind Support Bar
8	8	80282	Outer Main Frame Bar - 25"
9	4	80220	Center Main Frame Bar - 35"
10	8	80283	Support Extension Bar - 24"
11	8	90170	Black Plug
12	8	90171	Black End Cap
13	8	40714	Self Tapping Screws
14	4	80000	1/4 x 1 Hex Bolt
15	4	80002	1/4 x 1-3/4 Hex Bolt
16	2	80004	1/4 x 2-3/4 Hex Bolt
17	4	40103	5/16 Washer
18	10	80013	1/4 Nylon Hex Lock Nut



Otter II Den

Fits Small Otter II Sled Only

Assembly Instructions

Tools Required:

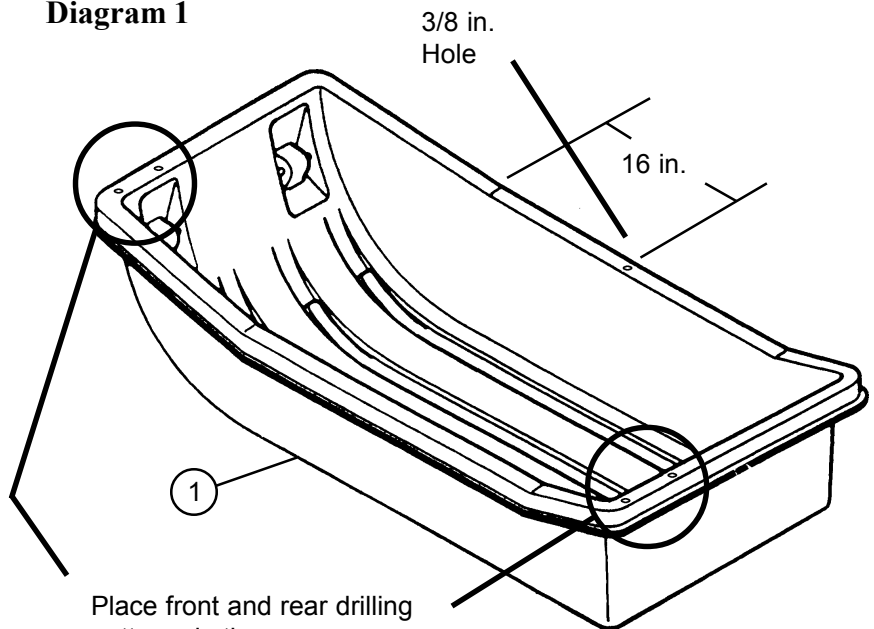
7/16 Box End Wrench	3/8 Bit
7/16 Socket and Ratchet	5/16 Bit
Drill	1/4 Bit

Sled Size Required:

Small Otter II

1. Layout all parts.
2. Position sled (Item 1) as shown in Diagram 1, with curved front to your left. Using front drilling pattern (on back page) mark two holes for the front frame bracket with a sharp object. Using rear drilling pattern (on back page), repeat this step for the rear frame bracket.
3. Drill the 4 marked holes using a 5/16 bit.
4. Drill the 3/8 in. hole in center of lip approximately 16 inches from bend in sled. The back wind support bar (Item 4) is to be propped here.

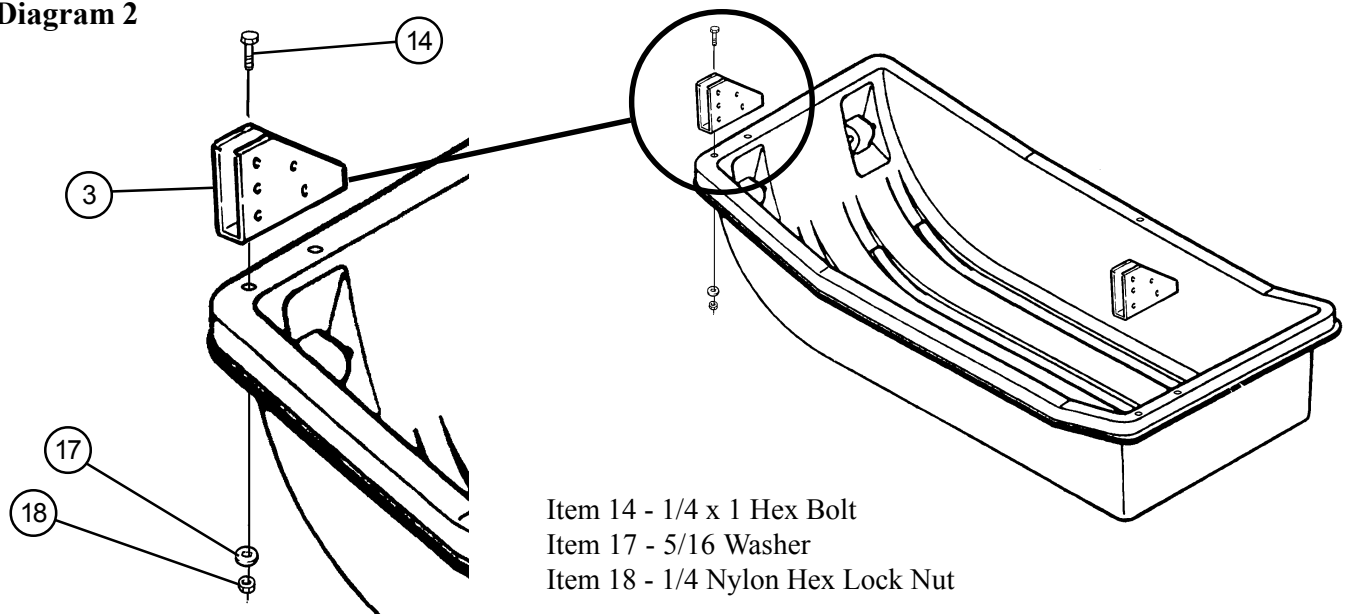
Diagram 1



Place front and rear drilling patterns in these corners. Newer models have dimples to show bracket placement.

5. Bolt frame brackets (Item 3) to sled using holes predrilled in Step 3. Use appropriate fasteners shown in Diagram 2.

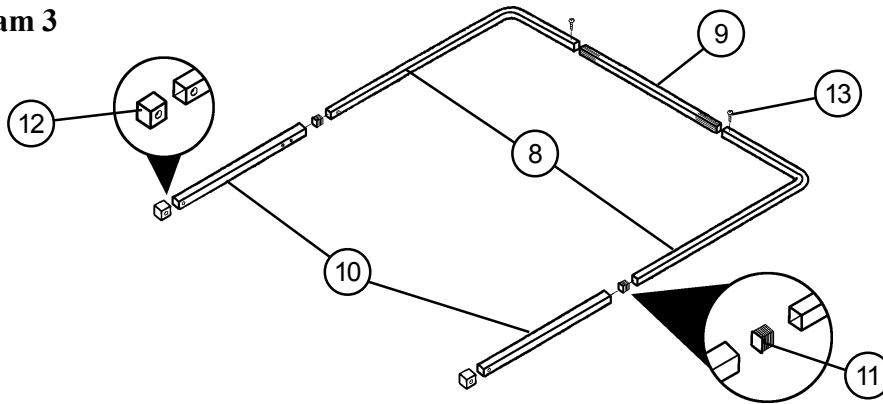
Diagram 2



Item 14 - 1/4 x 1 Hex Bolt
 Item 17 - 5/16 Washer
 Item 18 - 1/4 Nylon Hex Lock Nut

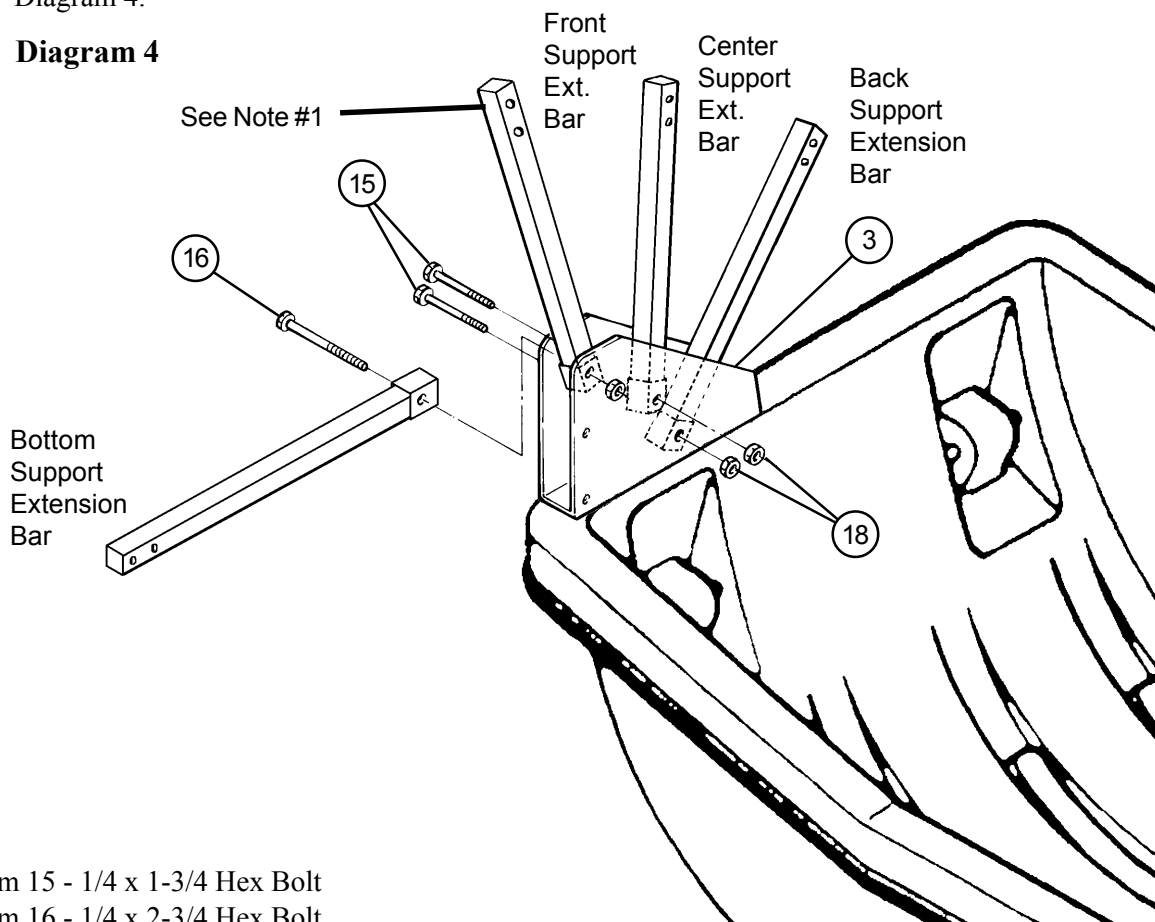
6. Insert the center main frame bar (Item 9) into the outer main frame bar (Item 8). Insert the plug (Item 11) into the outer main frame bar (Item 8). Insert the support extension bar (Item 10) into the outer main frame bar (Item 8). **(Line up holes with button lock, push lock in as you slide in the bar. Use WD-40 to make assembly easier.)** Cover end of support extension bar (Item 10) with end cap (Item 12). Secure center main frame bar (Item 9) to outer main frame bar (Item 8) with self tapping screws (Item 13). Ref. Diagram 3.

Diagram 3



7. Assemble support extension bar assemblies (assembled in step 6) into frame brackets (Item 3) as shown in Diagram 4.

Diagram 4

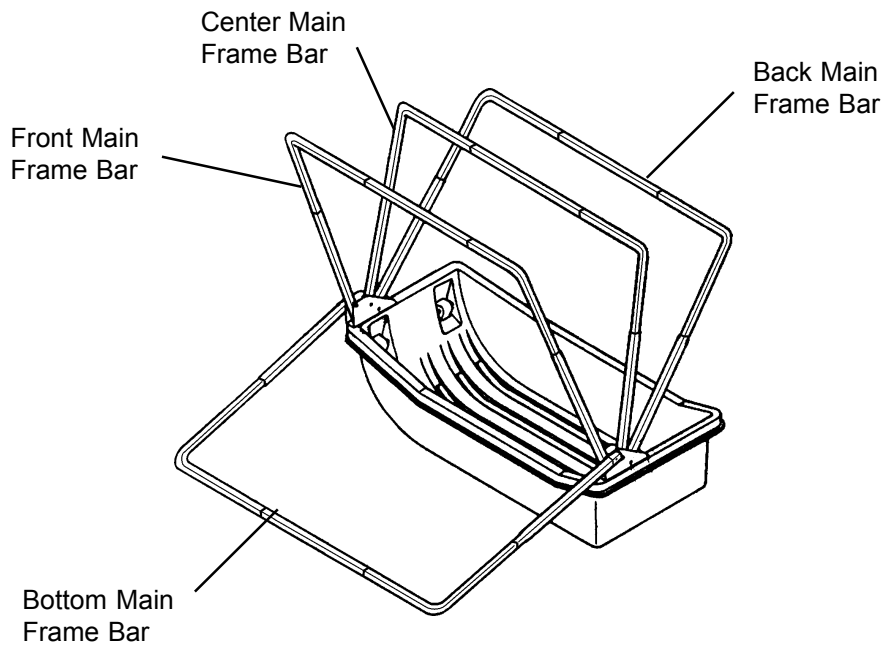


- Item 15 - 1/4 x 1-3/4 Hex Bolt
 Item 16 - 1/4 x 2-3/4 Hex Bolt
 Item 18 - 1/4 Nylon Hex Lock Nut

Note #1: Complete support extension bar assembly is not shown in the diagram.

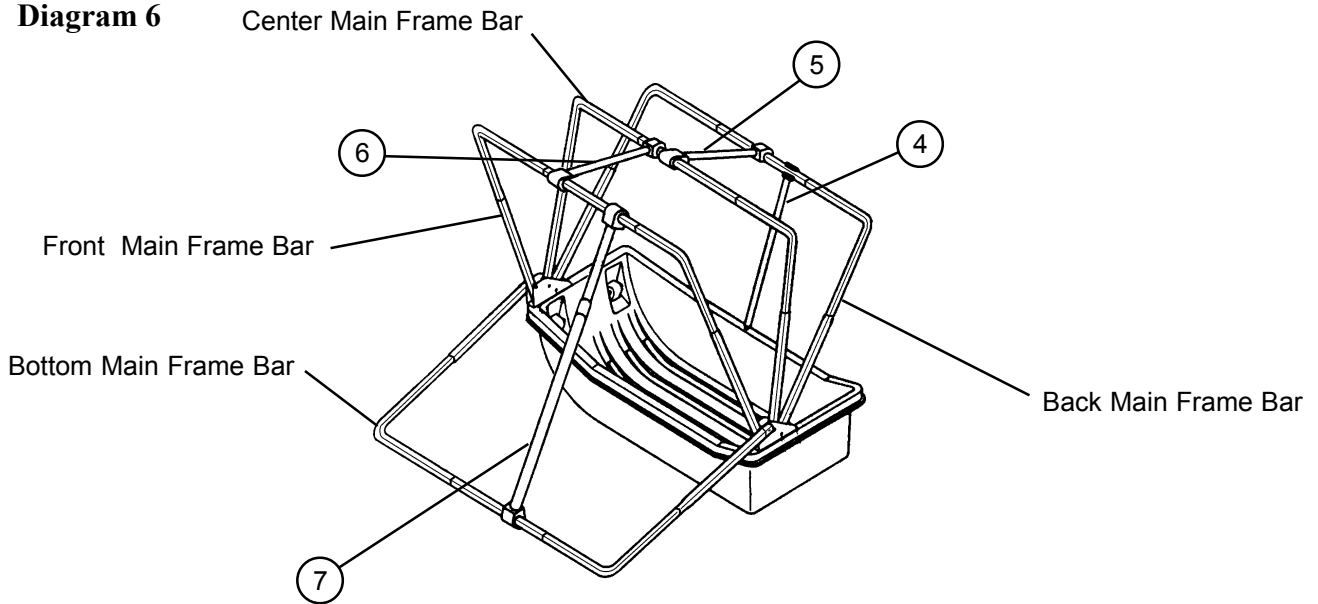
8. Set up main frame bars by grasping with both hands and pushing upward until button clicks into place. Start with bottom main frame bar and continue to the back main frame bar pushing lengthened bars into appropriate position (Ref. Diagram 5).

Diagram 5



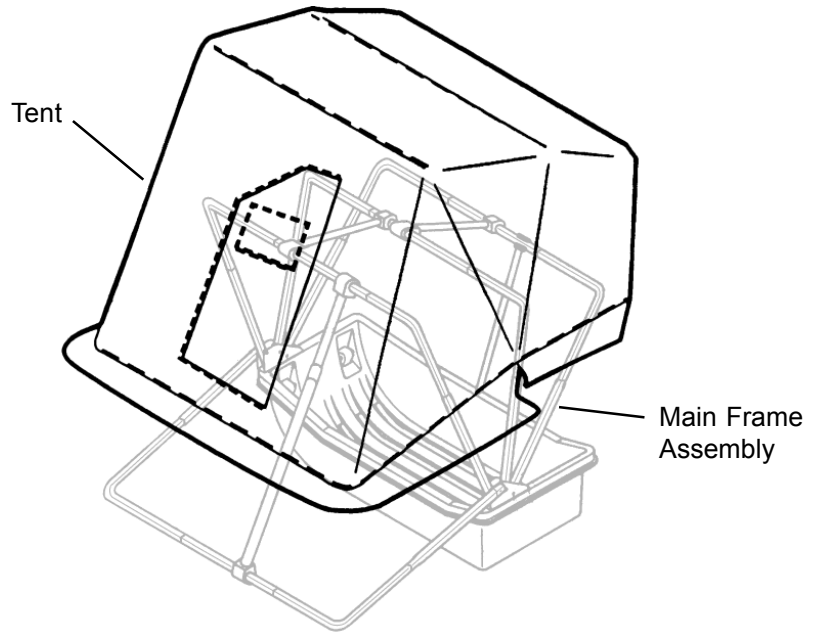
9. Install wind support bars starting in back (Item 4), up through center (Item 5), then between the front and center main frame bars (Item 6) and finally with adjustable wind support bar (Item 7) in front (Ref Diagram 6).

Diagram 6



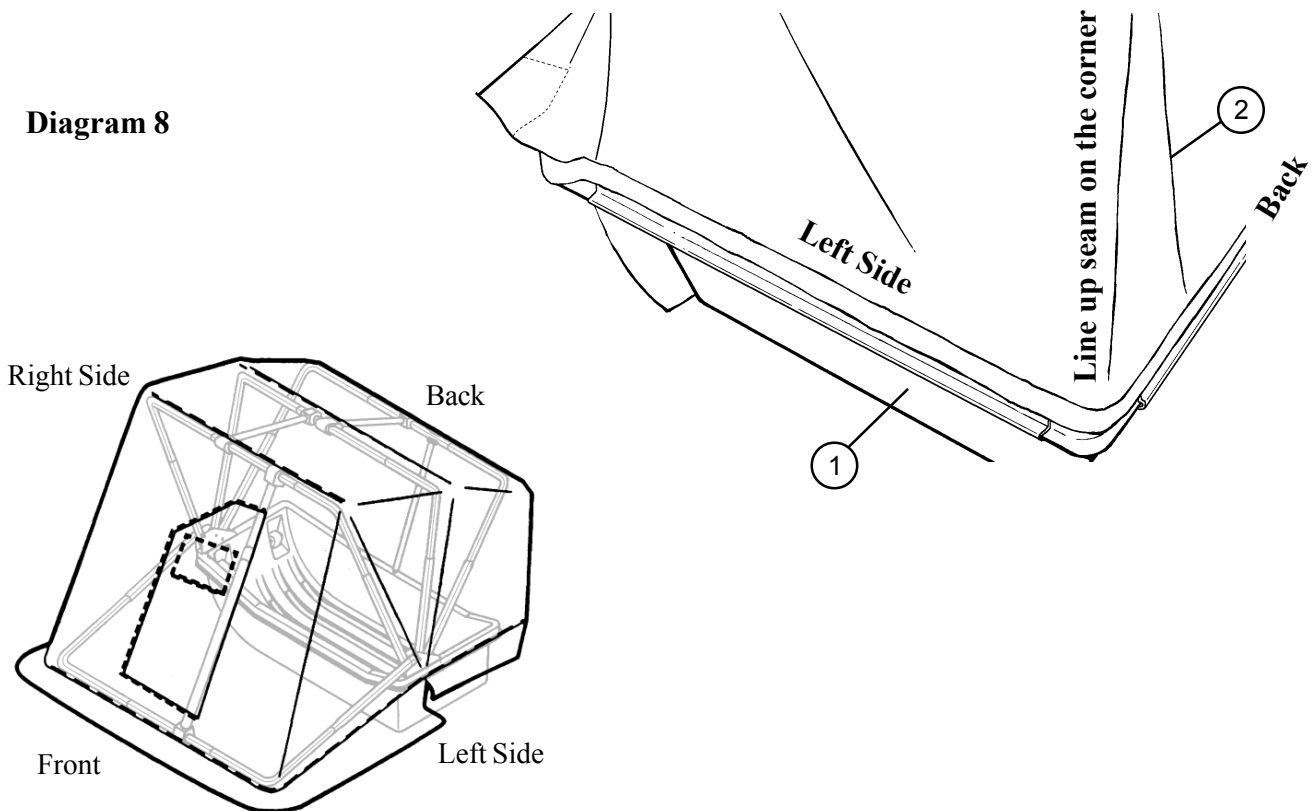
10. Slide the tent over the main frame bar assembly, then fasten the velcro straps on the inside of the tent to each main frame bar. (Ref. Diagram 7)

Diagram 7



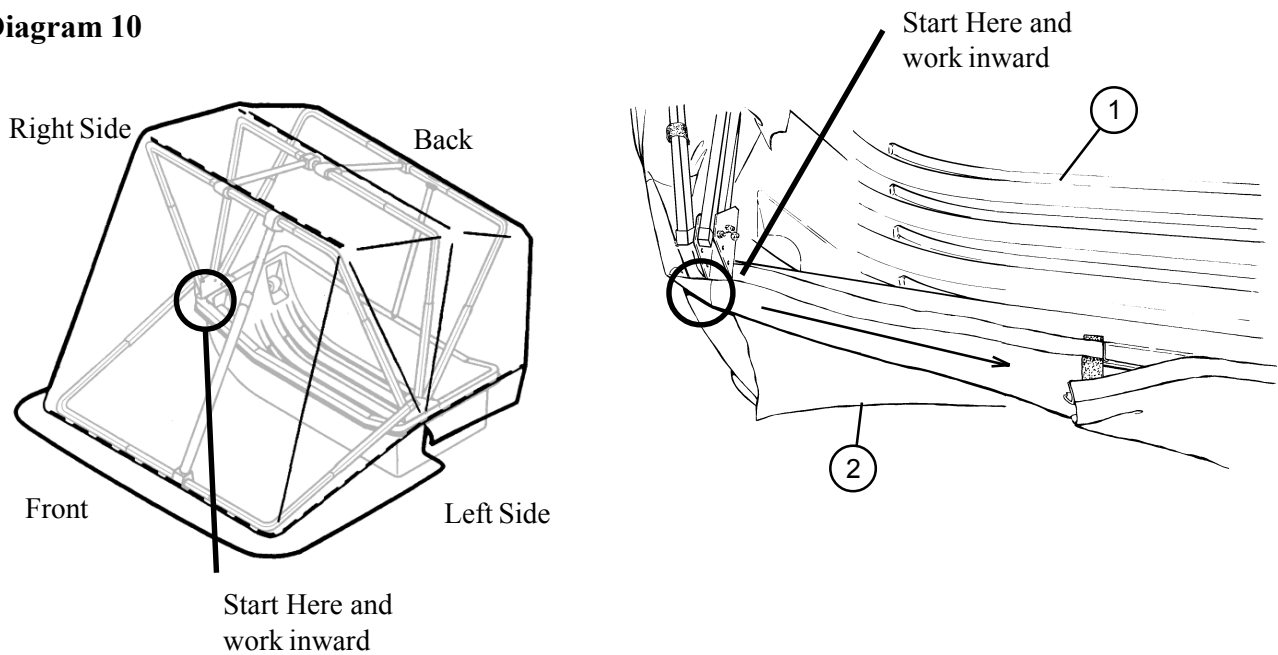
11. The canvas tent (Item 2) has a plastic trim seal sewn into the edge, snap the plastic trim seal to the edge of the sled (Item 1). Start at the front left corner and work your way around across the back and up the opposite side.

Diagram 8



12. On the front of the fishhouse, start in the corners and work inward, snap the plastic trim seal on the canvas tent (Item 2) to the **top** edge of the sled (Item 1) (Ref. Diagram 10).

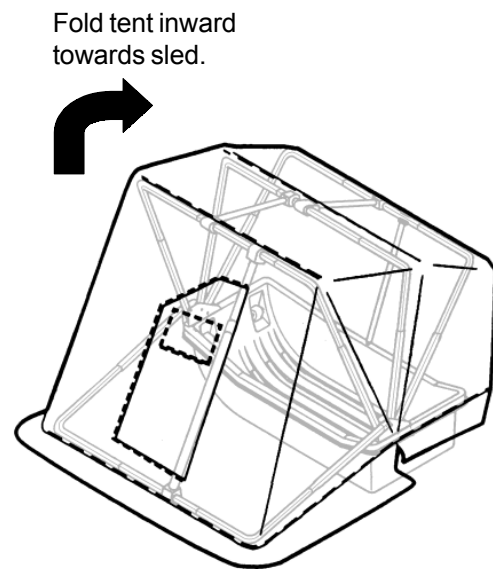
Diagram 10



13. The tent (Item 2) (Ref. Diagram 10) will meet in the middle and should be free to open and close so it can be removed.

To Collapse Tent and Transport:

1. Remove support bars and store inside the sled.
2. Retract main frame bars by pressing in button while sliding the bar farther into the tube.
3. Fold the tent in towards the sled so all the bars are laying on top of the sled.
4. Tuck in excess tent material.
5. Ready for transport.
6. Reverse to set up the fishhouse again.



General Note: Be careful with tent windows in cold weather, as creasing or crushing them will cause breakage.



Caution: Use adequate ventilation. Portable heaters use up oxygen and emit carbon monoxide. Use reflectors and identifying lights after dark or during limited visibility.

REAR OF SLED



Match this line to edge of sled.

**HOLE DRILLING PATTERN FOR
OTTER II DEN USING
NEW STYLE SMALL OTTER II SLED**

Drill two bracket holes using 5/16" drill bit.

Match this line to edge of sled.



FRONT OF SLED

SIDE OF SLED

Otter II Den
August, 2004