

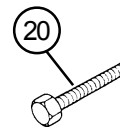
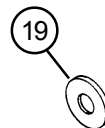
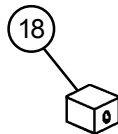
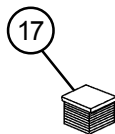
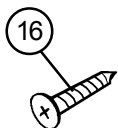
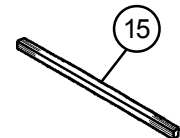
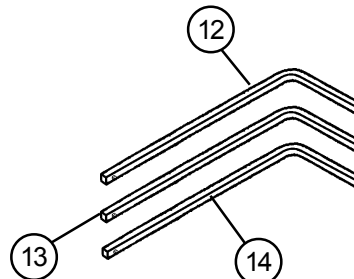
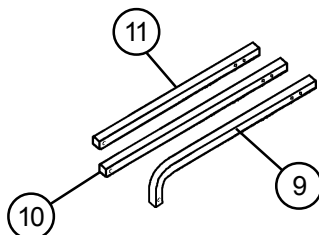
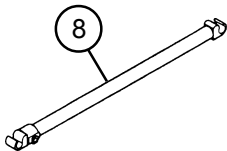
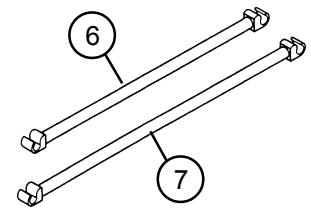
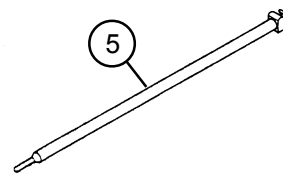
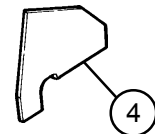
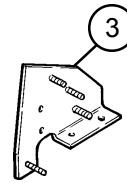
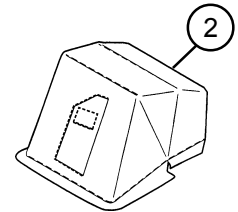
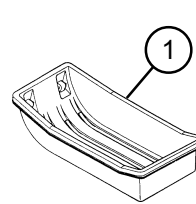


Otter II Resort Installation and Set-Up Instructions

Otter II Resort Fits Large Otter II Sled Only Parts Identification and Check List

PARTS LIST

Item #	Qty	Part #	Description
1	0	1150	Sled - Black (Sold Separately)
		1151	Sled - Olive Drab (Sold Separately)
2	1	90086	Canvas Tent - Purple
		90087	Canvas Tent - Green
3	1	80172	Frame Bracket "A"
4	1	80171	Frame Bracket "B"
5	2	80421	Back Wind Support Bar - 49"
6	2	80472	Center Wind Support Bar - 37 5/8"
7	2	80423	Center Wind Support Bar - 49"
8	2	80296	Adjustable Front Wind Support Bar
9	2	80292	Main Frame Extension Bar - 38 1/2"
10	2	80424	Main Frame Extension Bar - 35 1/2"
11	4	80293	Main Frame Extension Bar - 30"
12	2	80420	Outer Main Frame Bar - 37 1/8"
13	2	80294	Outer Main Frame Bar - 40 1/2"
14	4	80295	Outer Main Frame Bar - 35"
15	4	80419	Middle Main Frame Bar - 63 3/4"
16	8	40714	Self Tapping Screw
17	8	90170	Black Plug
18	8	90171	Black End Cap
19	4	40103	5/16 Washer
20	4	80000	1/4 x 1 Hex Bolt
21	12	80013	1/4 Nylon Hex Lock Nut



Otter II Resort
Fits Large Otter II Sled Only
Assembly Instructions

Tools Required:

7/16 Box End Wrench
 7/16 Socket and Ratchet
 Drill

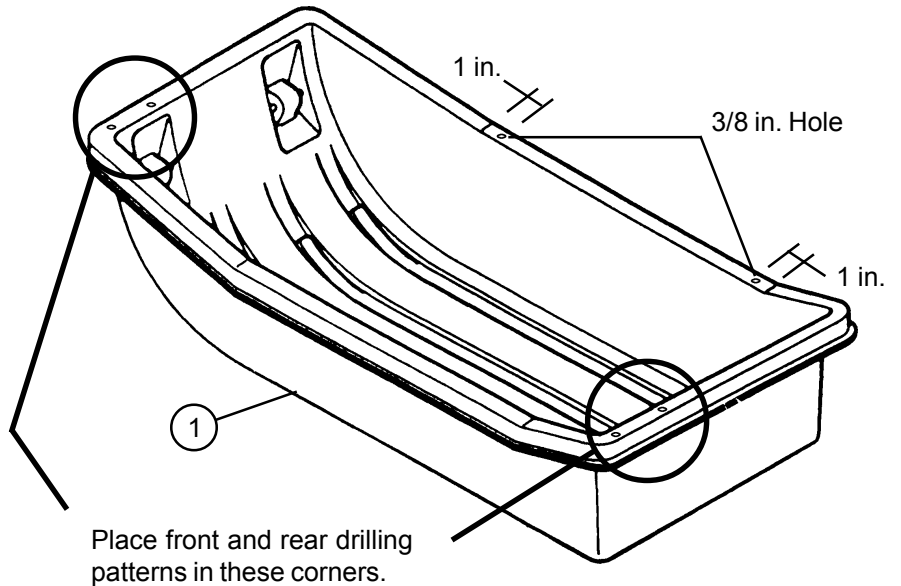
3/8 Bit
 5/16 Bit

Sled Size Required:

Large Otter II

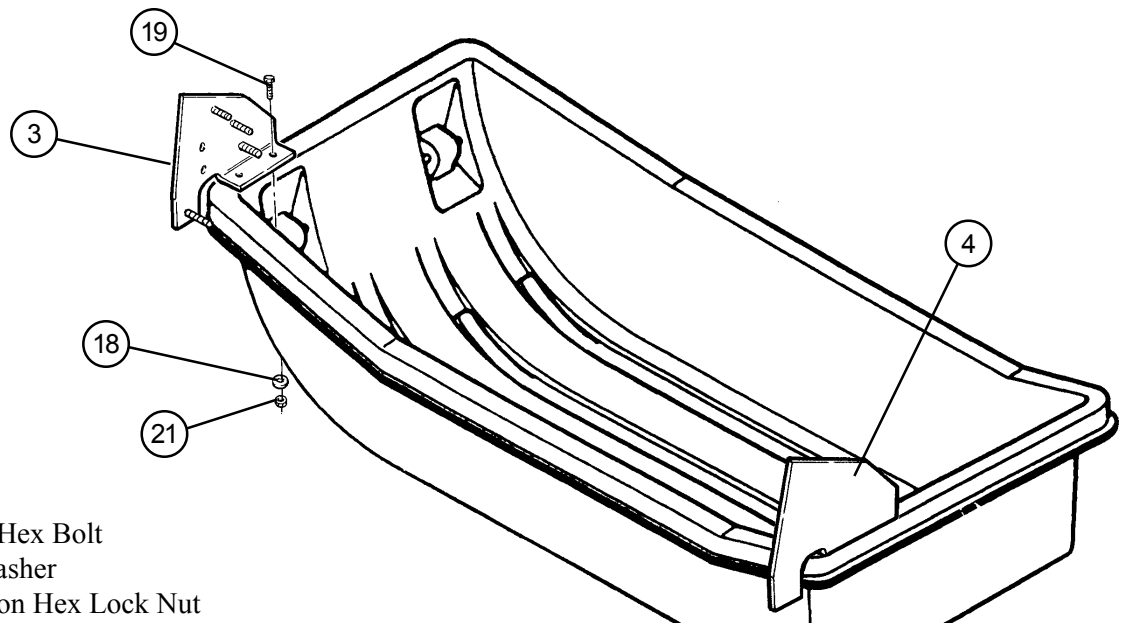
1. Layout all parts.
2. Position sled (Item 1) as shown in Diagram 1, with curved front to your left. Using front drilling pattern (on back page) mark two holes for the front frame bracket with a sharp object. Using rear drilling pattern (on back page), repeat this step for the rear frame bracket.
3. Drill the 4 marked holes using a 5/16 bit.
4. Drill two 3/8 in. holes approximately 1 inch in from each bend in sled. The back wind support bar (Item 5) is to be propped here.

Diagram 1



5. Bolt frame brackets (Item 3 and Item 4) to sled using holes predrilled in Step 3. Use appropriate fasteners shown in Diagram 2.

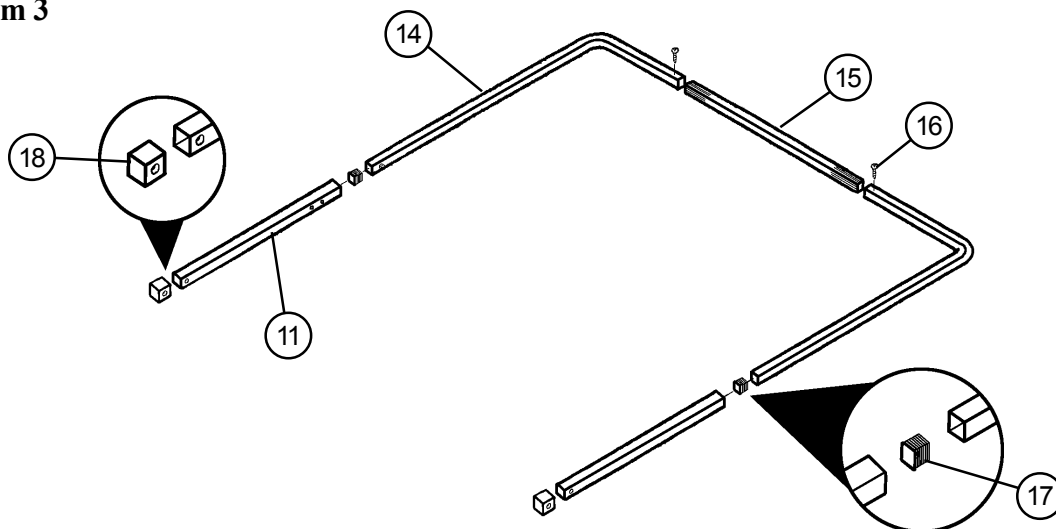
Diagram 2



Item 20 - 1/4 x 1 Hex Bolt
 Item 19 - 5/16 Washer
 Item 21 - 1/4 Nylon Hex Lock Nut

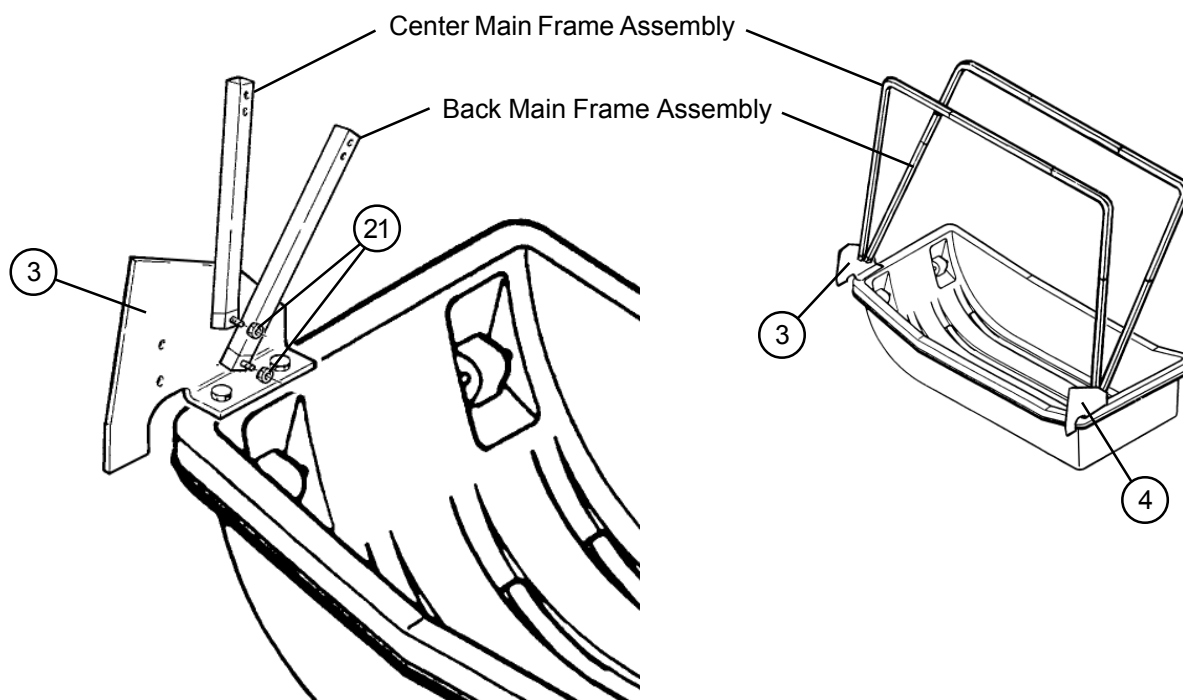
6. **Assembling Back and Center Main Frame Bar:** Insert the middle main frame bar (Item 15) into the outer main frame bar (Item 14). Insert the plug (Item 17) into the outer main frame bar (Item 14). Insert the main frame extension bar (Item 11) into the outer main frame bar (Item 14). **(Line up holes with button lock, push lock in as you slide in the bar. Use WD-40 to make assembly easier.)** Cover end of main frame extension bar (Item 11) with end cap (Item 18). Secure middle main frame bar (Item 15) to outer main frame bar (Item 14) with self tapping screws (Item 16). Ref. Diagram 3.

Diagram 3



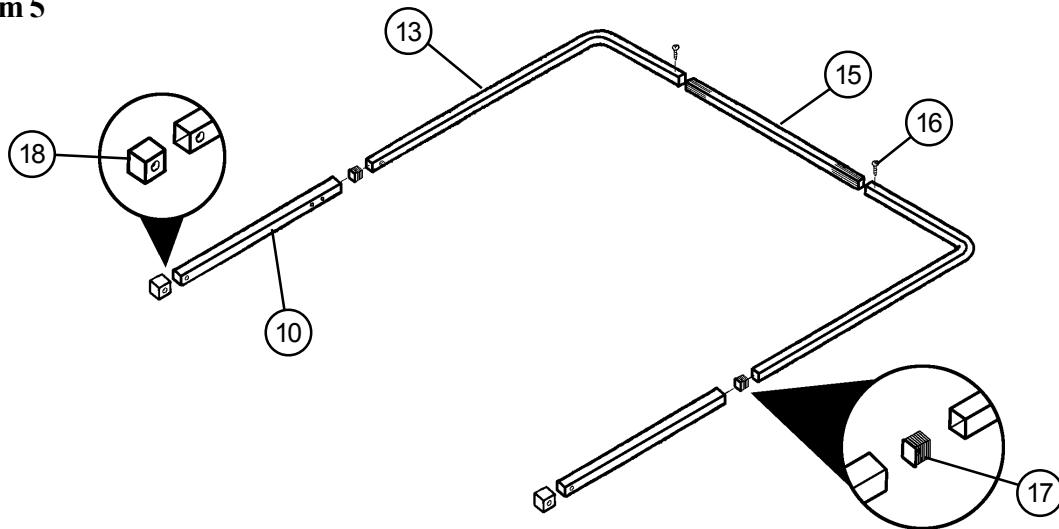
7. Assemble **Back and Center** main frame assemblies (Assembled in Step 6) into frame brackets (Item 3 and 4). Secure with 1/4 nylon hex lock nut (Item 20). Ref. Diagram 4.

Diagram 4



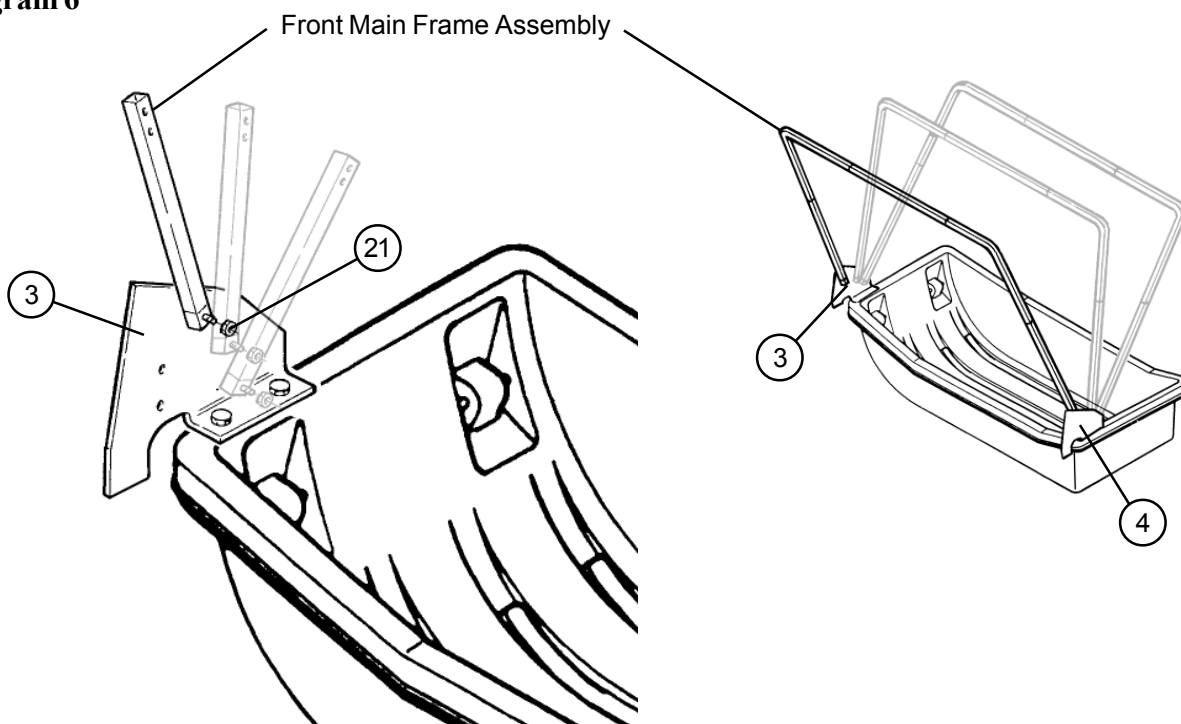
8. **Assembling Front Main Frame Bar:** Insert the middle main frame bar (Item 15) into the outer main frame bar (Item 13). Insert the plug (Item 17) into the outer main frame bar (Item 13). Insert the main frame extension bar (Item 10) into the outer main frame bar (Item 13). **(Line up holes with button lock, push lock in as you slide in the bar. Use WD-40 to make assembly easier.)** Cover end of main frame extension bar (Item 10) with end cap (Item 18). Secure middle main frame bar (Item 15) to outer main frame bar (Item 13) with self tapping screws (Item 16). Ref. Diagram 5.

Diagram 5



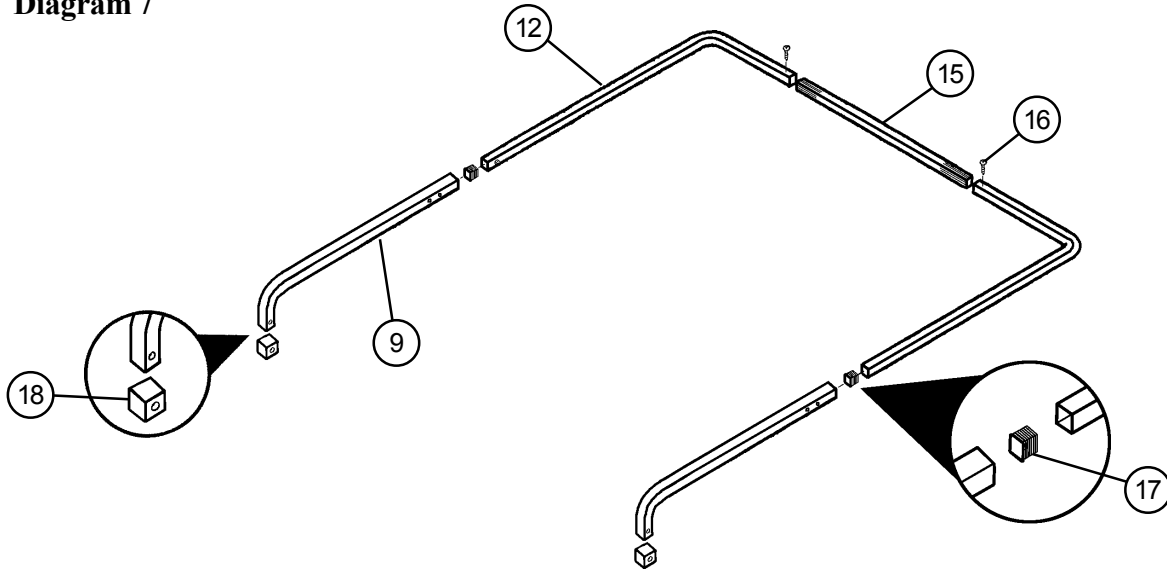
9. Assemble **Front** main frame assembly (Assembled in Step 8) into frame brackets (Item 3 and 4). Secure with 1/4 nylon hex lock nut (Item 21). Ref. Diagram 6

Diagram 6



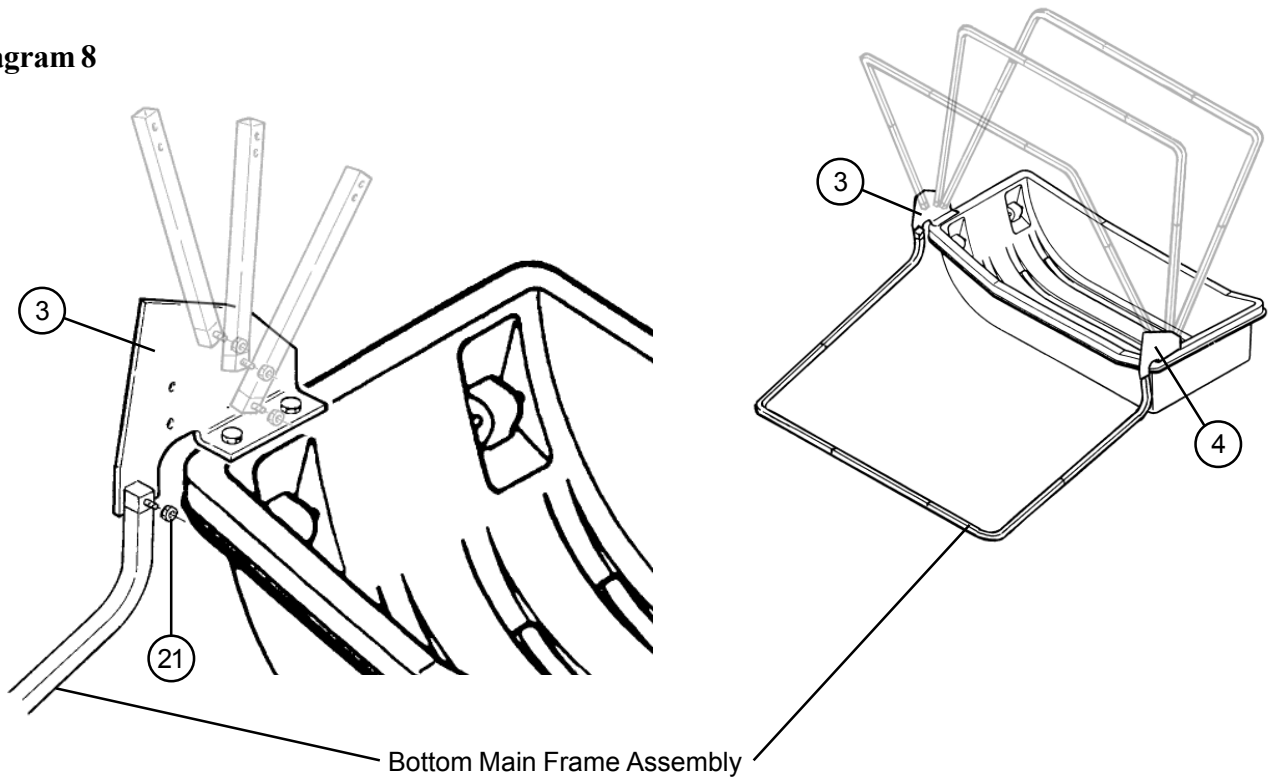
10. **Assembling Bottom Main Frame Bar:** Insert the middle main frame bar (Item 15) into the outer main frame bar (Item 12). Insert the plug (Item 17) into the outer main frame bar (Item 12). Insert the main frame extension bar (Item 9) into the outer main frame bar (Item 12). (**Line up holes with button lock, push lock in as you slide in the bar. Use WD-40 to make assembly easier.**) Cover end of main frame extension bar (Item 9) with end cap (Item 18). Secure middle main frame bar (Item 15) to outer main frame bar (Item 12) with self tapping screws (Item 16). Ref. Diagram 7.

Diagram 7



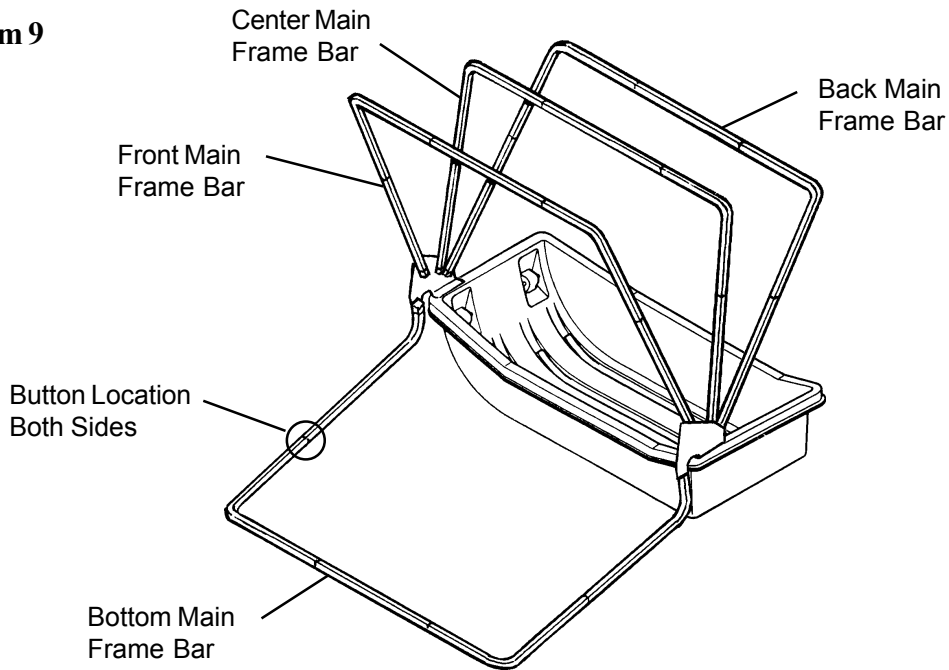
11. Assemble **Bottom** main frame assembly (Assembled in Step 8) into frame brackets (Item 3 and 4). Secure with 1/4 nylon hex lock nut (Item 21). Ref. Diagram 8.

Diagram 8



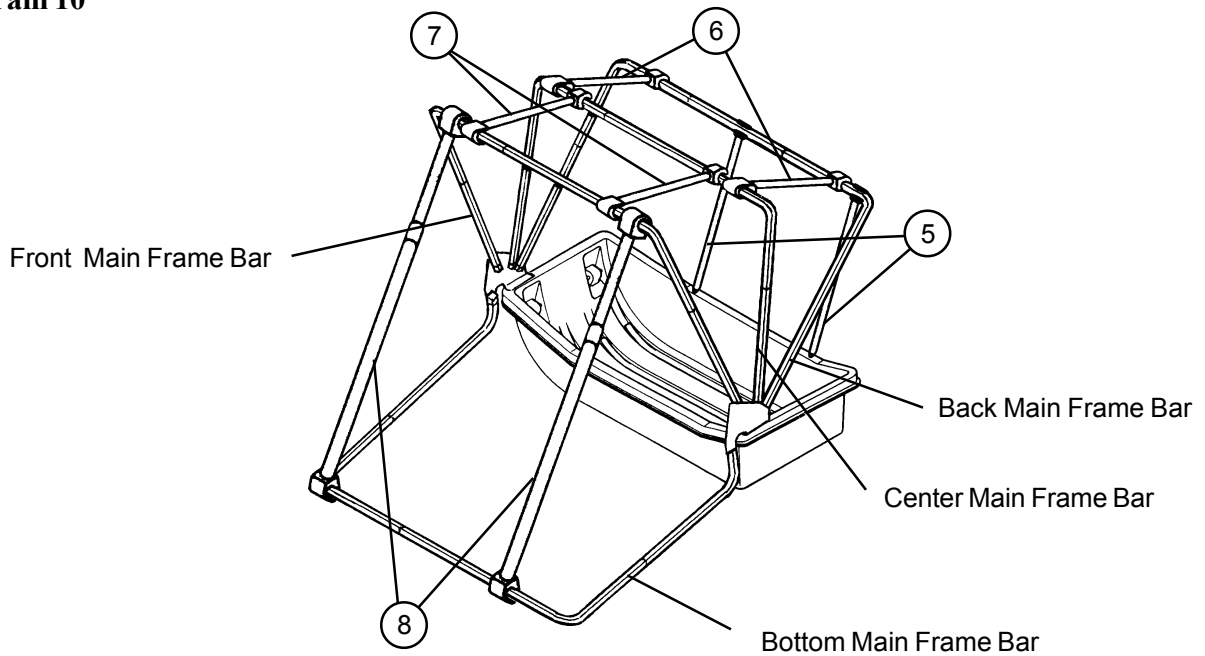
12. Set up main frame bars by grasping with both hands and pushing upward until button clicks into place. Start with bottom main frame bar and continue to the back main frame bar pushing lengthened bars into appropriate position (Ref. Diagram 9).

Diagram 9



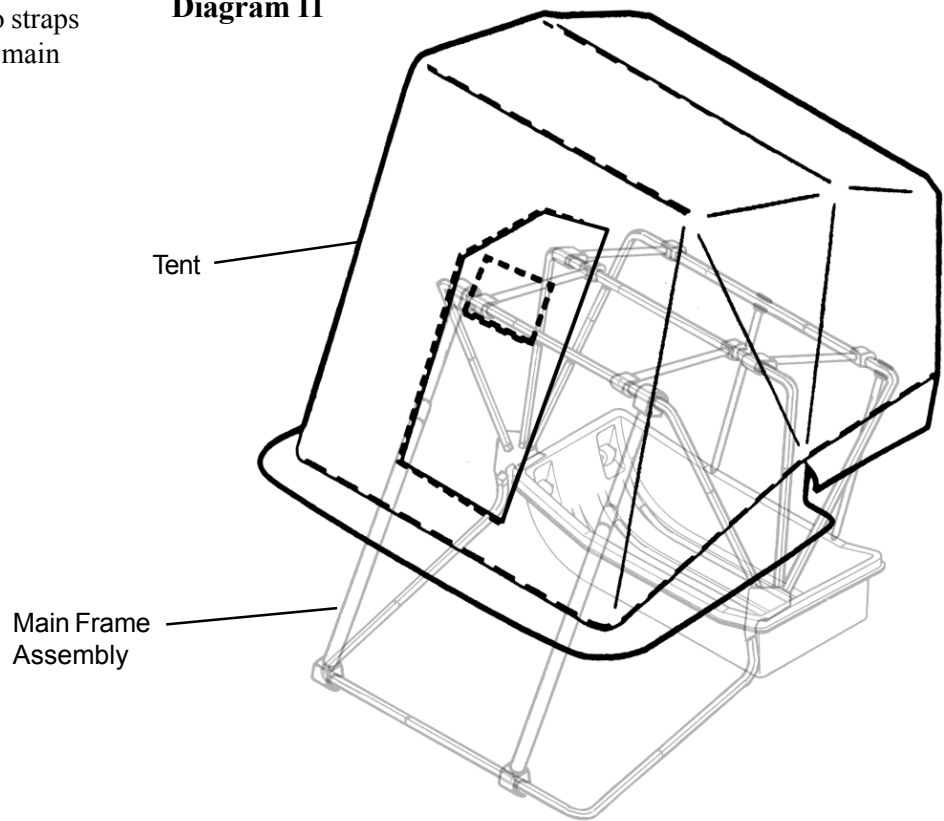
13. Install wind support bars starting in back (Item 5), up through center (Item 6), then between the front and center main frame bars (Item 7) and finally with adjustable wind support bar (Item 8) in front (Ref Diagram 10).

Diagram 10



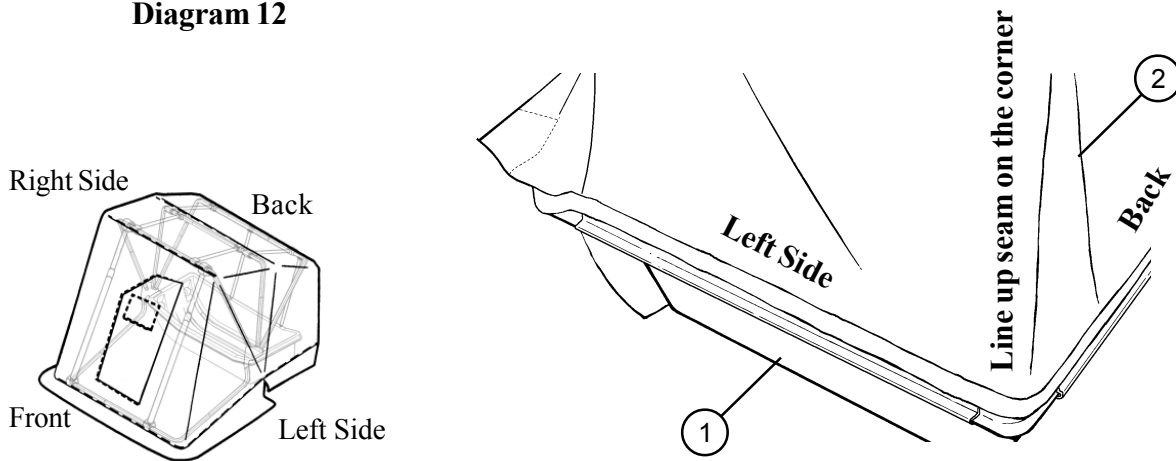
14. Slide the tent over the main frame bar assembly, then fasten the velcro straps on the inside of the tent to each main frame bar. (Ref. Diagram 11)

Diagram 11



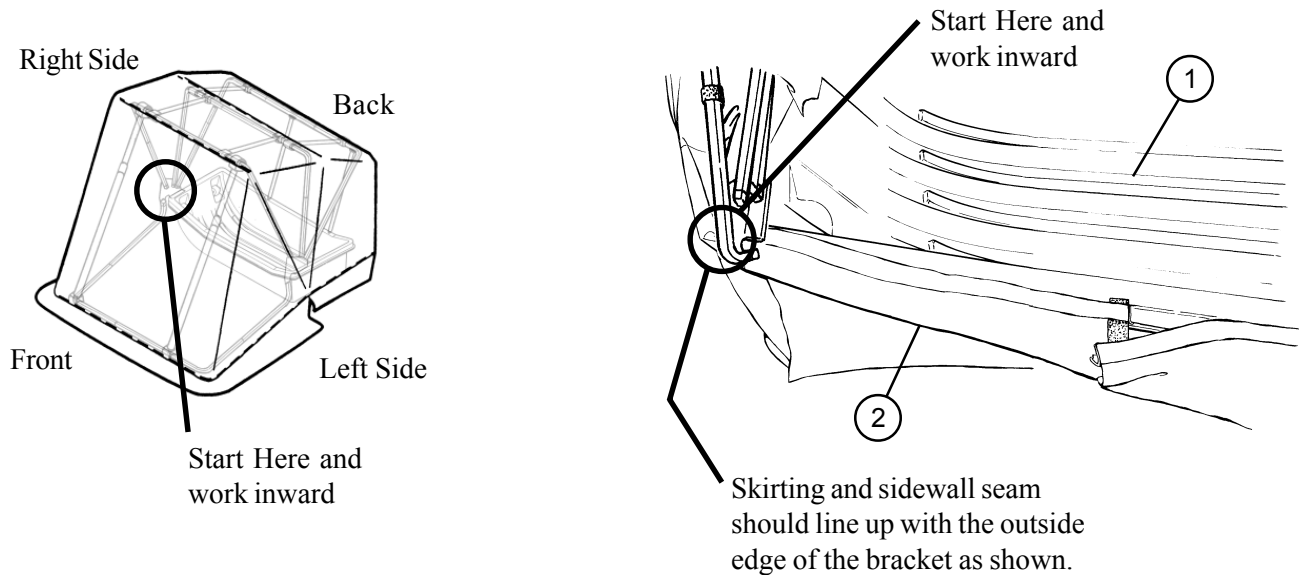
15. The canvas tent (Item 2) has a plastic trim seal sewn into the edge, snap the plastic trim seal to the edge of the sled (Item 1). Start at the front left corner and work your way around across the back and up the opposite side. (Ref. Diagram 12)

Diagram 12



16. On the front of the fishhouse, start in the corners and work inward, snap the plastic trim seal on the canvas tent (Item 2) to the **top** edge of the sled (Item 1) (Ref. Diagram 13).

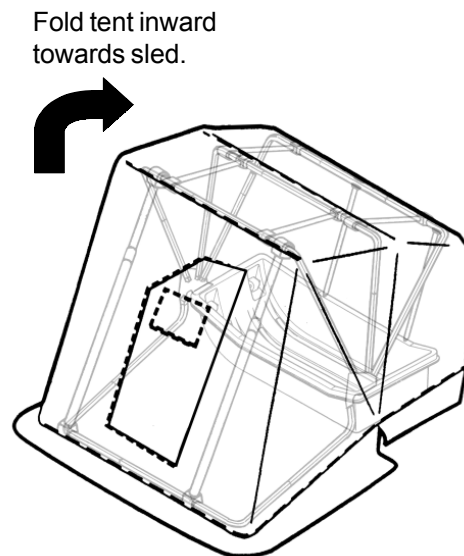
Diagram 13



17. The tent (Item 2) will meet in the middle and should be free to open and close so it can be removed.

To Collapse Tent and Transport:

1. Remove support bars and store inside the sled.
2. Retract main frame bars by pressing in button while sliding the bar farther into the tube.
3. Fold the tent in towards the sled so all the bars are laying on top of the sled.
4. Tuck in excess tent material.
5. Ready for transport.
6. Reverse to set up the fishhouse again.



General Note: Be careful with tent windows in cold weather, as creasing or crushing them will cause breakage.



Caution: Use adequate ventilation. Portable heaters use up oxygen and emit carbon monoxide. Use reflectors and identifying lights after dark or during limited visibility.

REAR OF SLED



Match this line to edge of sled.

**HOLE DRILLING PATTERN FOR
OTTER II RESORT USING
LARGE OTTER II SLED**

**NOTE: Back of sled is slightly wider than front
of sled so hole placement is not the same.**

Drill two bracket holes using 5/16" drill bit.

Match this line to edge of sled.



FRONT OF SLED

SIDE OF SLED