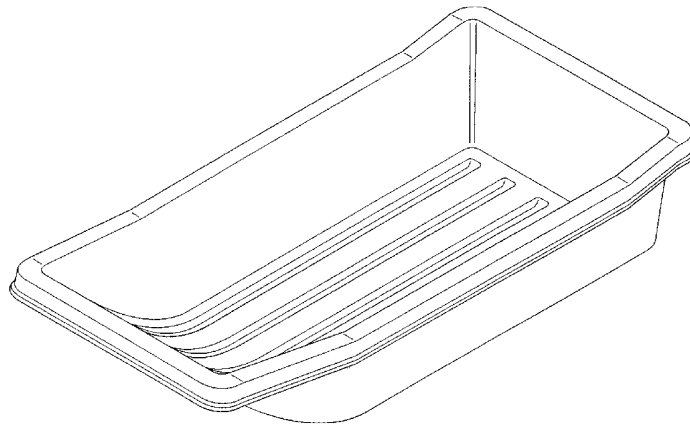


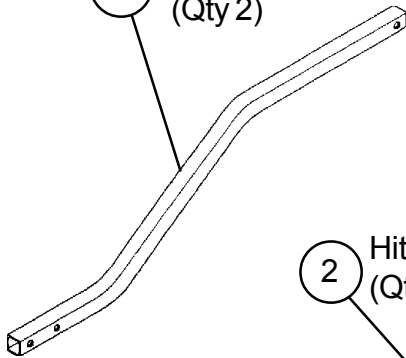


# #200084 (0460) Tow Hitch Installation and Set-Up Instructions

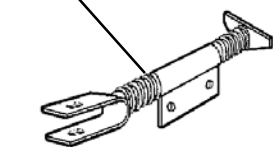
Otter II Towing Hitch  
Fits X-Large Sled  
Parts Identification Checklist



1 Side Tube  
(Qty 2)



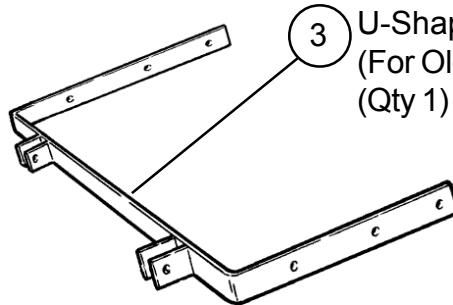
2 Hitch Coupler  
(Qty 1)



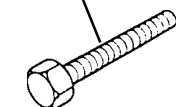
4 Hitch Pin with Spring Clip  
(Qty 2)



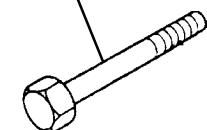
3 U-Shaped Sled Bracket,  
(For Old Style Sled Only)  
(Qty 1)



5 5/16 x 1  
Hex Bolt  
(Qty 6)



6 5/16 x 3  
Hex Bolt  
(Qty 2)



7 5/16 Washer  
(Qty 16)



8 5/16 Nylon  
Hex Lock Nut  
(Qty 8)



**Tools Required:**

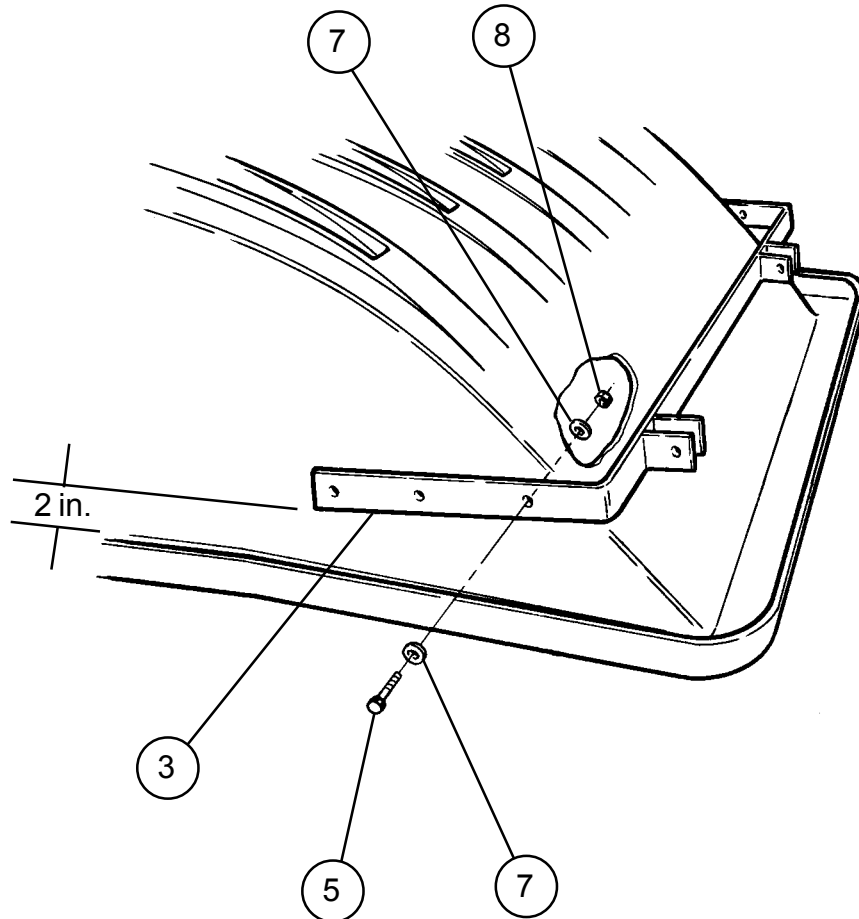
1/2 Box End Wrenc  
1/2 Socket and Ratchet  
Drill  
3/8 bit  
Straight Edge & Marker  
Adjustable Crescent Wrench

**Towing Hitch Instructions for the Following Sled:**

Otter Pro X-Large Sled

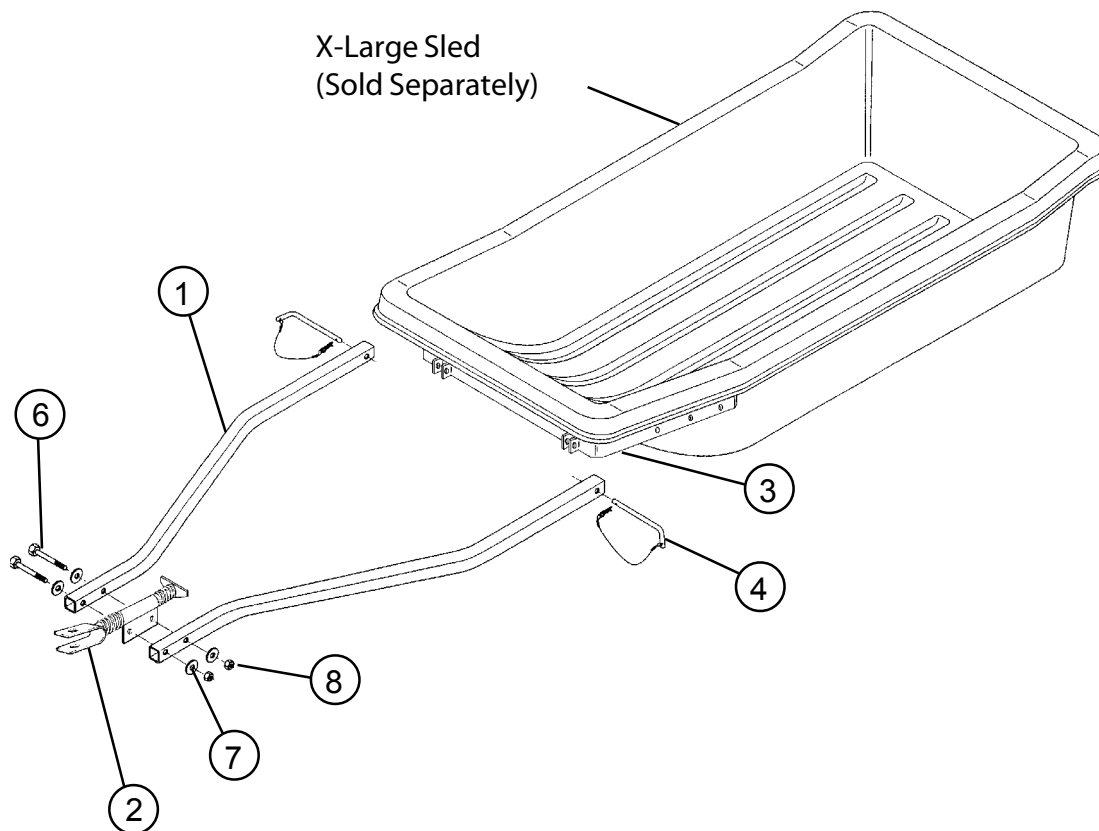
**Installation for Sleds:**

1. Layout all parts.
2. Turn the sled upside down.
3. With a straight edge, mark a line towards the front of sled 2 inches above the sled lip on both sides.
4. Line up the U-Shaped sled bracket (Item 3) on the line marked as shown below. Bracket should be tight against the front of the sled.
5. Mark all 6 holes and remove the bracket, then drill with the 3/8 bit.
6. Attach the U-Shaped sled bracket (Item 3) with the fasteners shown.



**Installation Continued:**

7. Lay side tubes (Item 1) on ground to form an "A" shape.
8. Attach side tubes (Item 1) to hitch coupler (Item 2) with 5/16 x 3 hex bolts (Item 6), washers (Item 7), and lock nuts (Item 8).
9. Assemble towing hitch assembly to U-Shaped Sled Bracket (Item 3) with hitch pins (Item 4) and secure hitch pins with spring clips.



Towing Hitch  
January, 2008