



## #200086 (0400), #200085 (0450) Tow Hitch Installation and Set-Up Instructions

### Tools Required:

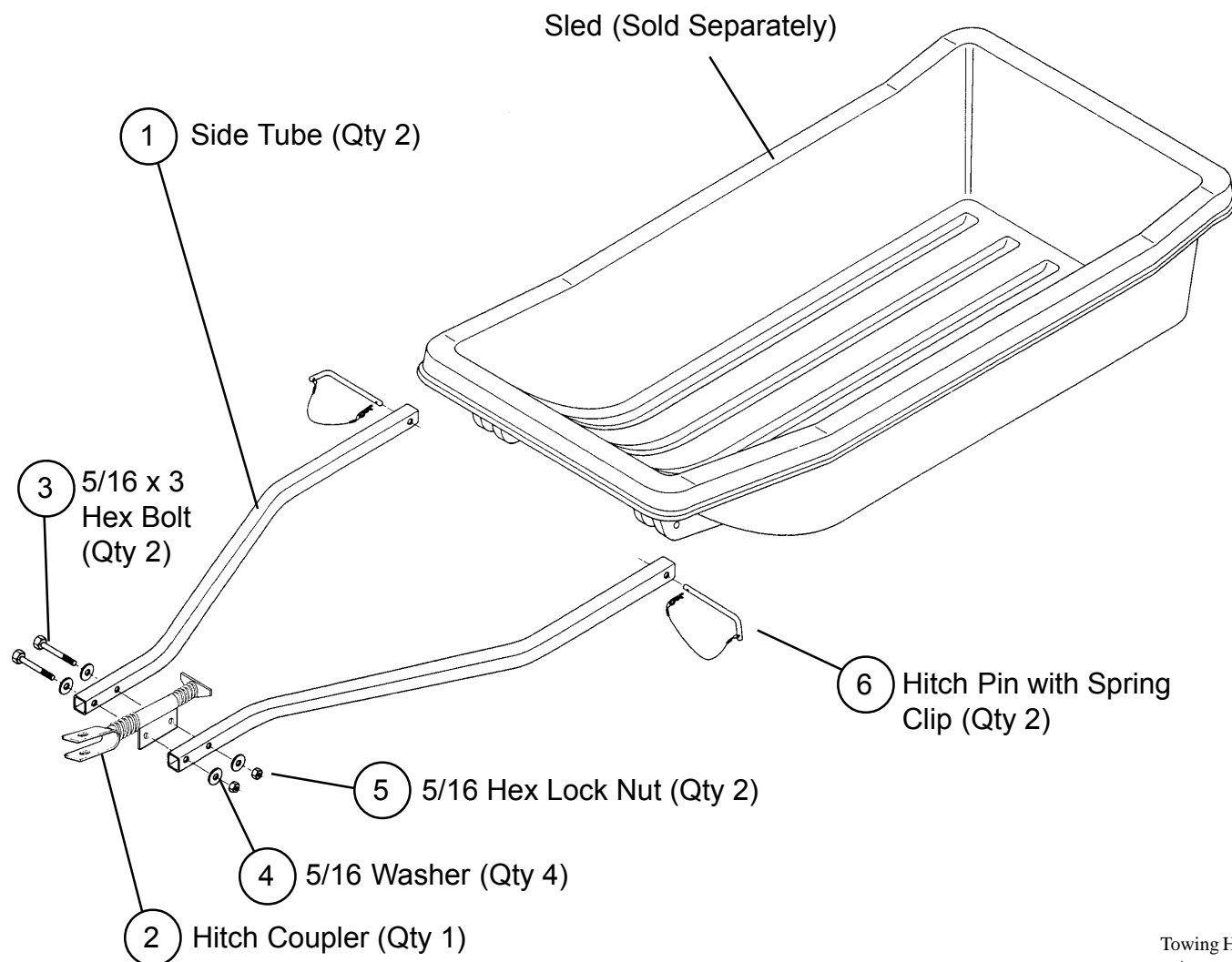
- 1/2 Socket or Wrench
- Adjustable Crescent Wrench

### Towing Hitch Instructions for the Following Sleds:

- |                                 |                                  |
|---------------------------------|----------------------------------|
| Otter Pro Small Sled            | Otter Wild Small Sled            |
| Otter Pro Small Ultra-Wide Sled | Otter Wild Small Ultra-Wide Sled |
| Otter Pro Medium Sled           | Otter Wild Medium Sled           |
| Otter Pro Magnum Sled           | Otter Wild Magnum Sled           |
| Otter Pro Large Sled            |                                  |

### Installation:

1. Layout all parts.
2. Lay side tubes (Item 1) on ground to form an "A" shape.
3. Attach side tubes (Item 1) to hitch coupler (Item 2) with 5/16 x 3 hex bolts (Item 3), washers (Item 4), and lock nuts (Item 5).
4. Assemble towing hitch assembly to sled (sold separately) with hitch pins (Item 6).
5. Secure hitch pins with the attached spring clips.



Towing Hitch 2  
August, 2002

Otter Outdoors Inc.  
411 W Congress St. • Maple Lake, MN 55358  
Phone 320-963-6480 • [www.otteroutdoors.com](http://www.otteroutdoors.com)

Instructions - 70712