

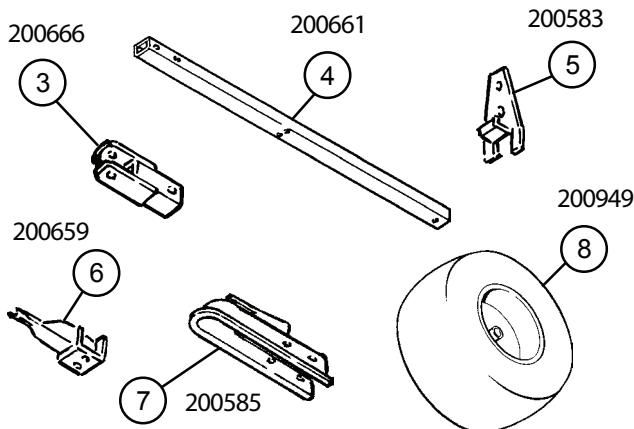
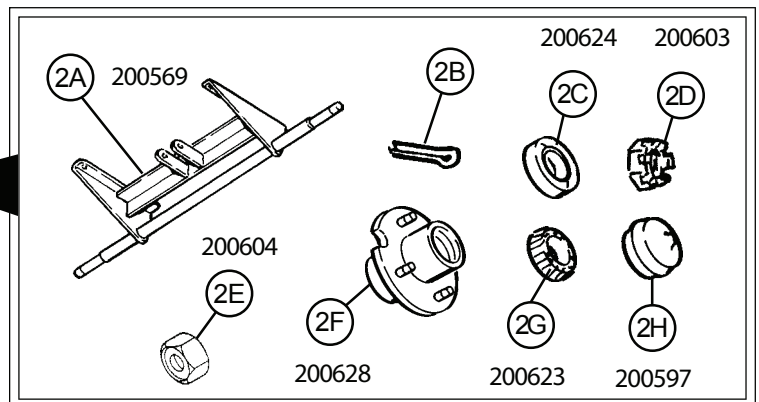
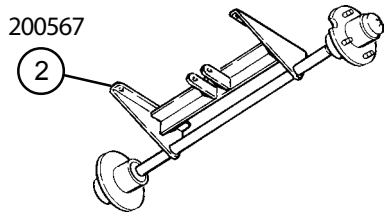
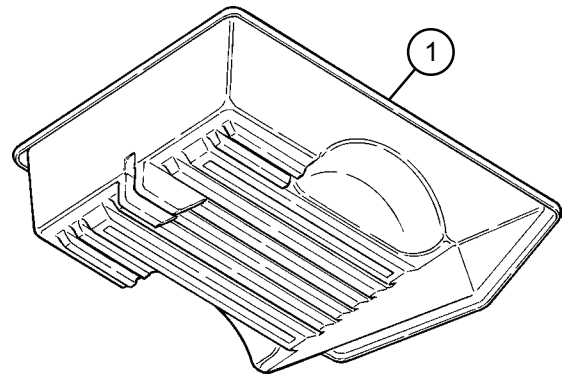
# Super Xpress Installation and Set-Up Instructions

## PARTS LIST

Item	Qty	Part #	Description
1	1	200791	Trailer
2	1	200567	Axle Assembly Complete
2A	2	200569	Axle
2B	2		Cotter Pin
2C	2	200624	Grease Seal
2D	2	200603	Castle Nut
2E	2	200604	1/2 Lug Nut
2F	2	200628	Wheel Hub
2G	4	200623	Bearing
2H	2	200597	Grease Cap
3	1	200666	Universal Pivot
4	1	200661	Tongue 39.5 Inches
5	1	200583	Tongue Bracket
6	1	200659	Tipper Latch
7	1	200585	Coupler, 2" Ball, 2 x 2 Tube
8	2	200949	Wheel
11-20	1	200634	Prepackage Hardware
11	4		7/16 x 1 Bolt
12	4		7/16 Lock Washer
13	2		7/16 x 3 Bolt
14	2		7/16 Nylon Lock Nut
15	2		3/8 x 1 Bolt
16	4		3/8 Nylon Lock Nut
17	3		3/8 x 3 Bolt
18	1		3/8 x 3 1/4 Bolt
19	4		7/16 Washer
20	2		3/8 Washer

## Tools Required:

13/16 Socket  
9/16 Socket and Ratchet  
5/8 Socket and Ratchet  
3/8 Bit  
Drill  
Hammer or Rubber Mallet  
9/16 Wrench  
5/8 Wrench



80313 - Includes Prepackage Hardware 11-20

